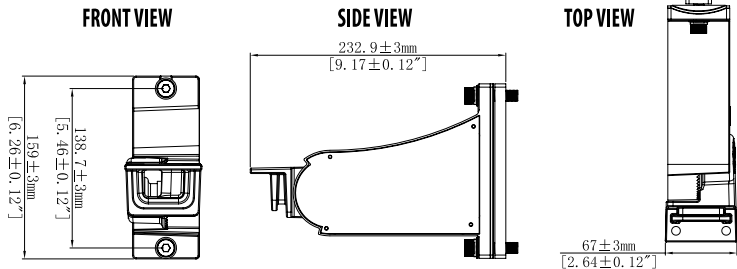


## ADJUSTABLE DIRECT WALL/POLE MOUNT DIMENSIONS



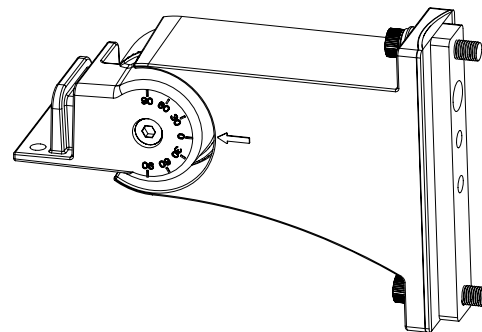
# LITETRONICS®

## Adjustable Direct Wall/Pole Mount

### Area Light Pro

(ALPAADM, ALPABADM, ALPAWADM)

### Installation Instructions



Thank you for choosing

# LITETRONICS®

6969 W. 73rd Street

Bedford Park, IL 60638

WWW.LITETRONICS.COM

CustomerService@Litetronics.com or 1-800-860-3392



The information and product specifications contained in these instructions are based upon data believed to be accurate at the time of printing. This information is subject to change without notice and without incurring liability. If you have questions regarding specific product details, please contact us at 800-860-3392 or via email at customerservice@litetronics.com. To check for an updated version of these instructions, please visit [www.litetronics.com](http://www.litetronics.com).

Rev: 05/06/26

## SAFETY INSTRUCTIONS AND WARNINGS

- When using electrical equipment, basic safety precautions should always be observed.
- This product must be installed in accordance with the applicable installation code by a person familiar with the construction and operation of the product and the hazards involved.
- Installation should only be conducted by a qualified electrician in accordance with NEC and any relevant local building codes.
- Be certain electrical power is OFF before and during installation and maintenance.
- To prevent wiring damage or abrasion, do not expose wiring to edges of sheet metal or sharp objects.

## WHAT COMES IN THE BOX

Adjustable Direct Wall Mount  
Installation Instructions  
Screws M8\*22mm (x2)

## REQUIRED TOOLS

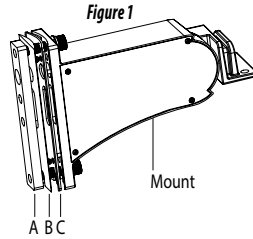
Allen Wrench

## INSTRUCTIONS

Before installation, carefully remove all parts from the packaging. Inspect product for defects due to shipping. Always turn off the power supply from main circuit breaker first!

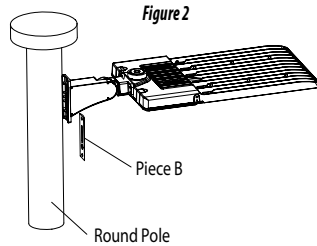
### INSTALLING MOUNT TO SQUARE POLE

1. When using the mount with a square pole install piece A inside the pole and pieces B & C (Silicone Rubber) outside the pole with the mount. (Fig. 1)



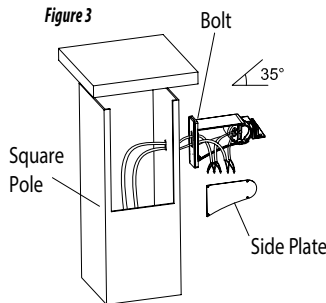
### INSTALLING MOUNT TO ROUND POLE

2. For a round pole remove piece B (Rounded Silicone Rubber) from the mount and follow the rest of the installation steps. (Fig. 2)

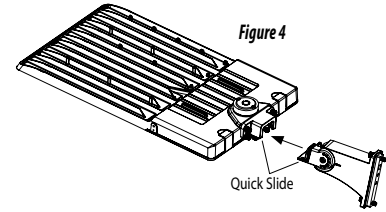


### ADJUSTABLE DIRECT MOUNT INSTALLATION

3. Feed the fixture wires into the mount junction box. Remove side plate from mount. (Fig. 3)
4. Attach the mount to the pole with bolts. Pull the wires from the pole and feed into the mount junction box. Finish the wire connections accordingly (refer to Area Light Pro instructions for wiring diagram). (Fig. 3)
5. Replace the side plate and tighten back into mount.

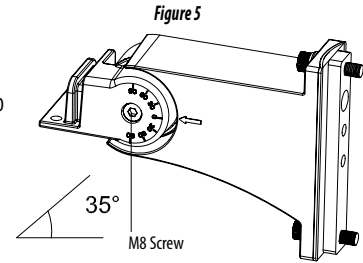


6. Lock the mount to the fixture by sliding onto the Quick Slide slot. Once the holes are lined up, tighten the fixture to the mount with the included screws (M8\*22mm x2). (Fig. 4)



### FINISH INSTALLATION

7. To adjust angle, loosen the M8 screw, align the fixture to desired angle, and then tighten the M8 screw. (Fig. 5)
8. Turn power back on.



### ADJUSTABLE DIRECT WALL/POLE MOUNT HOLE PATTERN

