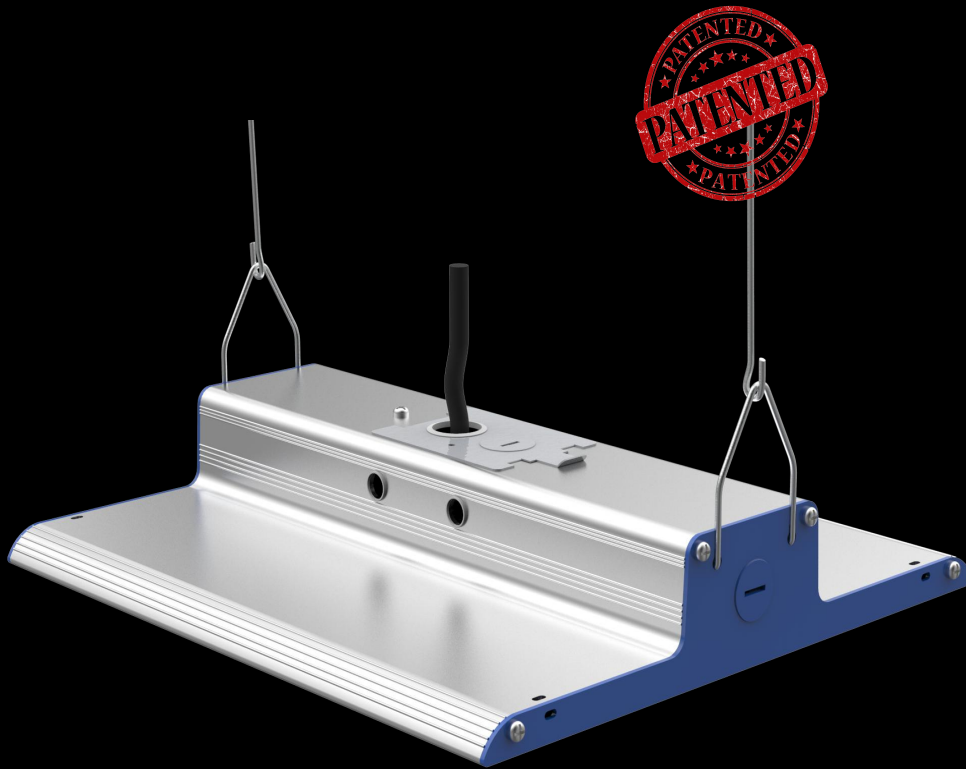


# ACE

—LED Light —



Save money

Save time

Peace of mind

Make you amazing

## Amazing Series

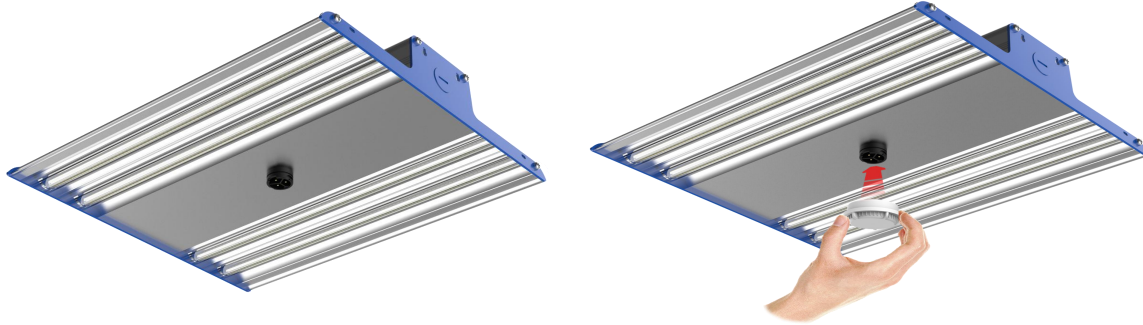
### **Smart** LED Linear High Bay

- **Sensor pluggable**, mounting sensors whenever you need
- **CCT & Power field-adjustable**, reduce SKUs by up to 80%
- **Simply plug & power installation**, reduce labor cost by up to 50%
- Right-sized Compact design **reduces shipping cost** by up to 50%
- **Efficiency up to 200 LPW**, delivers up to 80000 lumens
- Easy **tool-free** maintenance and exchanging lenses
- **Field-installable various optics lenses** covering all your application needs

## First Sensor pluggable intelligent design

mounting sensors and make your luminaire smart whenever you need (Optional)

World's first patented designed module type plug & play sensor and sensor embedded Luminaire. User can easily scale from an ordinary fixture to a smart light fixture in 3 seconds.



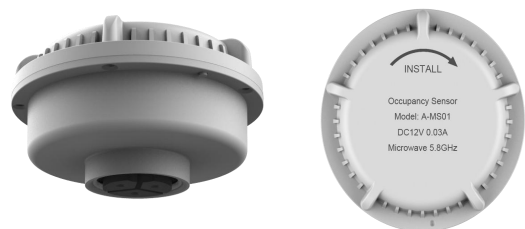
3 seconds easily plug-in



Smart LED Linear High Bay

## World's first patented Pluggable Sensor

You can install your luminaires today and mount sensors or IOT controllers whenever you need - without any hassle



- 3 seconds easy plug-in scalability.
- No re-circuiting or new control wiring .
- Provide interfaces for follow-up system expansion, escalation



On/off control



Stand-by period



Detection area



Stand-by dimming level



Hold time



Remote control setting



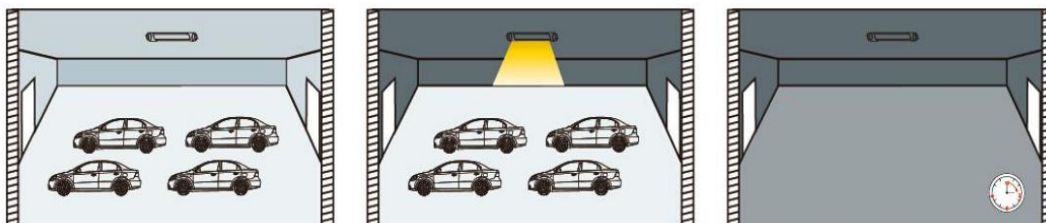
Daylight sensor

# ON/OFF and dimming functions

for maximum energy saving



## 1) ON/OFF Function (stand-by period set at '0')

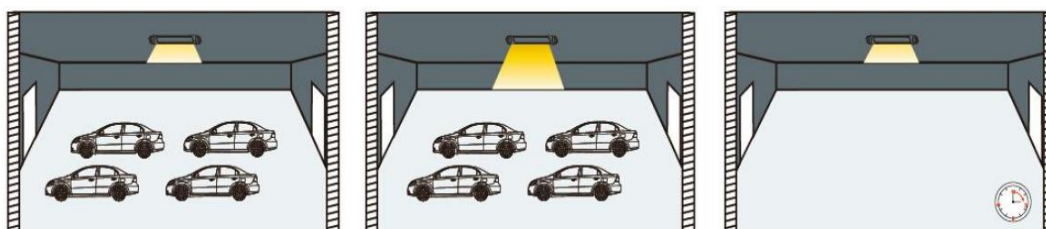


① With sufficient ambient light, the light will not be switched on even if with motion signal

② With insufficient ambient light, the sensor switches on the light when motion is detected.

③ After elapse of hold time, the sensor switches off the light when no motion is detected

## 2) 2-step dimming function (stand-by period set at "+∞")

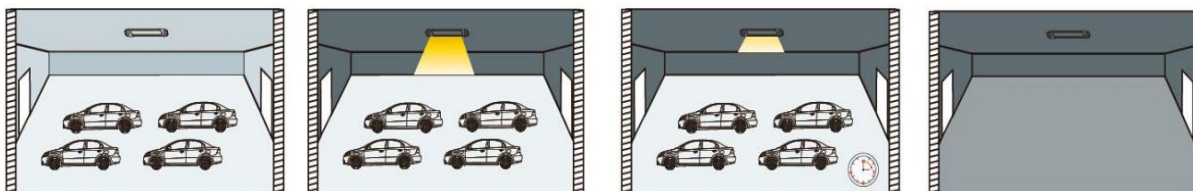


① If there is no motion detected, the light will be remained at a low light level all the time

② When motion is detected, the sensor will switch on the light to 100% brightness

③ After elapse of hold time, the sensor dims the light at the present low light level if no motion is detected.

## 3) 3-step dimming function (stand-by period set at "5min" or "15min")



① With sufficient ambient light, the light will not be switched on even if with motion signal

② With insufficient ambient light, the sensor switches on the light when motion is detected.

③ After elapse of hold time, the sensor dims the light at a low light level if no new motion is detected.

④ After elapse of stand by period, the sensor switches off the light if no motion is detected in the detection zone

Also Compatible with 3rd party smart network control system

# CCT & Power field-adjustable reduce SKUs by up to 80% (Optional) —LED Light —

- Reduce overall number of SKUs to 2 or 3 while offering 8 wattage and 3 CCT choices
- Streamline ordering and inventory, making it flexible enough for distributor stock and flow



**Desired Wattage / DIP Switch Settings**

SKUs	Desired Wattage	DIP Switch Settings			
		1	2	3	4
SKU 1	100W	ON	OFF	OFF	OFF
	120W	OFF	ON	OFF	OFF
	150W	OFF	OFF	ON	OFF
	200W	OFF	OFF	OFF	ON
SKU 2	220W	ON	OFF	OFF	OFF
	240W	OFF	ON	OFF	OFF
	300W	OFF	OFF	ON	OFF
	400W	OFF	OFF	OFF	ON

**Desired CCT / DIP Switch Settings**

Desired CCT	DIP Switch Settings		
	—	0	二
3000K	ON	OFF	OFF
4000K	OFF	ON	OFF
5000K	OFF	OFF	ON

## Simply plug & power installation ,

reduce labor cost by up to 50% (Optional)

No internal fixture access required for installation or disconnecting power

- The plug & power design is a time saver in installation – simply plug & power.
- Allows external fixture access for safe and easy servicing. There is no need to remove lamps or reflectors to disconnect fixture power
- Access to the individual fixture's power supply allows servicing without turning off all the fixtures, disrupting occupants.



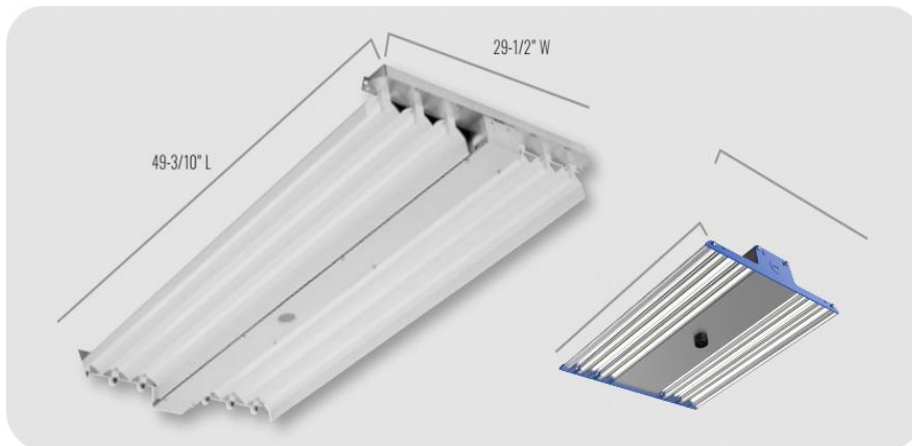
## Right-sized Compact design

reduces shipping cost by up to 50%

Excellent heat dissipation with pure aluminum extrusion heatsink making it can be designed to smaller size. Lightweight, compact design reduces volume up to 50%, makes it easy to handle.

Compared to other high bay products :

- Is 50% smaller for ease of installation
- Smaller volume reduces shipping cost by up to 50% , saves a great deal of valuable shelf or cargo space.



most other high bay products 30000 lumens

Amazing series 30000 lumens

## Efficiency up to 200 LPW ,delivers up to 80000 lumens

Excellent heat dissipation and special aluminum reflective maximizes LED performance, efficiency up to 200 LPW. Offering various lumen packages from 8000 to 80,000 lumens, covers all your application needs

Amazing high efficacy models pay for themselves and help you save on energy costs for years to come.

Single Luminaire	6L T5HO	Typical LED High Bay	High Efficacy
Lumens	26,353	26,217	26,558
Input Watts	343	220	135
Operating Hours/Year (15h/day)	5,475	5,475	5,475
Annual Energy Costs (0.11 KWh)	\$206.57	\$132.50	\$81.30
Monthly Costs (0.11 KWh)	\$17.21	\$11.04	\$6.78
Amazing VS 6L T5HO		Annual Savings \$\$	Up to \$125.27
Amazing VS Typical LED High Bay		Annual Savings \$\$	Up to \$51.19

Estimate does not include utility rebates or maintenance savings. Values based 5000K, 70 CRI, no lens.

Can You  
Afford  
to Spend  
**60% More**  
Per Fixture  
Per Year?

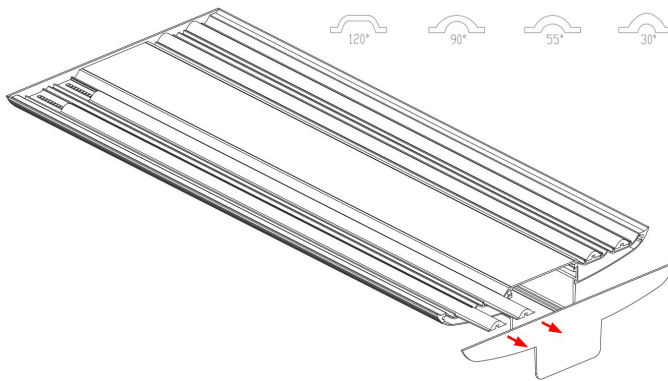


**It's Time to Put \$\$ Back in Your Pocket!**

# Easy tool-free maintenance and exchanging lenses

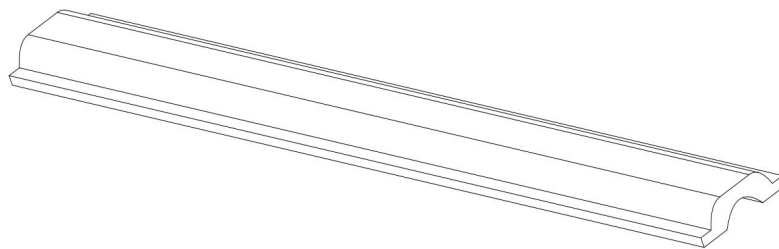


Toolless entry for easy access to electrical compartment, many accessories like driver replacement, emergency kit, sensors or control modules can be field-installed easily. lens is also can be changed in field.

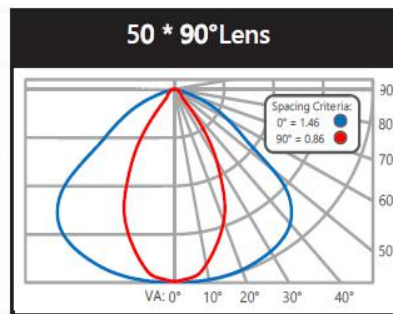
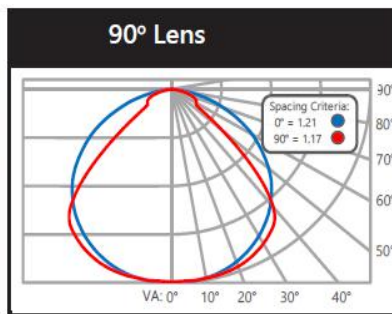
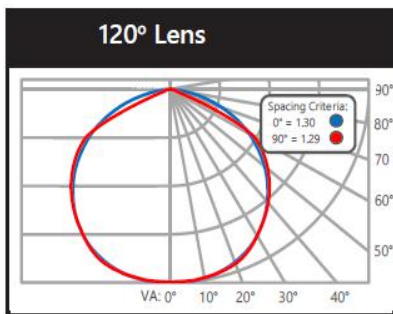


## Field-installable optics lenses, Light Delivered Exactly Where You Need It

covering all your application needs


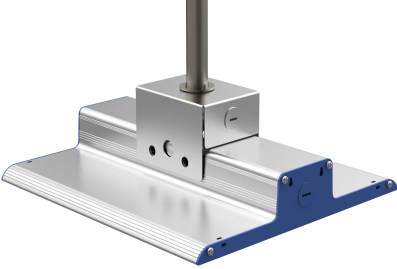
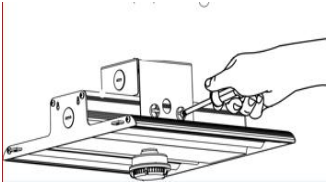
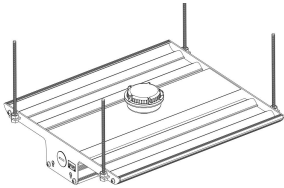
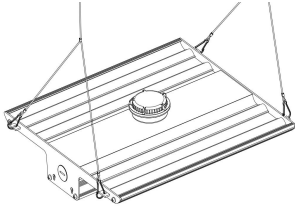
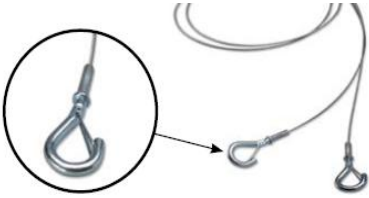


### Photometric Data

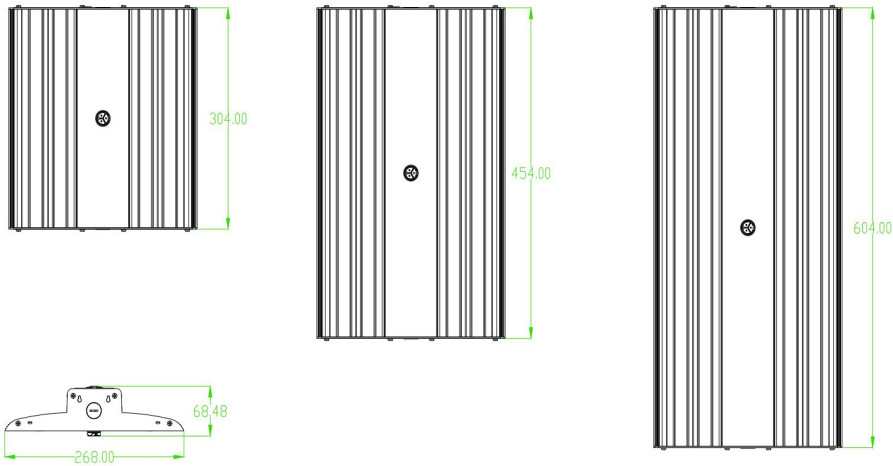


# Various mounting options covering all your application needs



MOUNTING OPTIONS	IMAGE	ORDER CODE
<p><b>Standard Chain/Cable Mount</b></p> <p>Available on all fixture configurations (chain not included). Y-Cable w/hook can be ordered as an accessory</p>		<p><b>STM= Standard</b> (No chain or mounting hardware included)</p>
<p><b>Pendant Mount (optional)</b></p> <p>Available on all fixture configurations. Attaches to 3/4" and 1/2" threaded conduit (conduit not included).</p>		<p><b>PM = 3/4"</b> Pendant Mount Kit</p>
<p><b>Surface Mount (optional)</b></p> <p>Available on all fixture configurations. Attaches to structural member in ceiling. (Hardware not included.)</p>		<p><b>SM = Surface Mount</b></p>
<p><b>Standard Inverted Mount</b></p> <p>Available on all fixture configurations Attaches to 3/8" threaded rod (rod not included)</p>		<p><b>UPM = Standard</b> Inverted Mount</p>
<p><b>Inverted Y- Cable Mount</b></p>		<p><b>YUPM5 = Inverted Mount</b> Y-Cable/ Hook 5ft <b>YUPM10 = Inverted Mount</b> Y-Cable/ Hook 10ft <b>YUPM15= Inverted Mount</b> Y-Cable/ Hook 15ft</p>
<p><b>Y-Cable w/hook (optional)</b></p> <p>Use with Standard Mounting Option only. Order separately. Price adder per pair.5 ft., 10 ft., 15 ft., 20 ft. lengths available.</p>		<p><b>YC5=Y-Cable/Hook</b> 5ft <b>YC10=Y-Cable/Hook</b> 10ft <b>YC15=Y-Cable/Hook</b> 15ft <b>YC20=Y-Cable/Hook</b> 20ft</p>

## Product Dimensions:



## Product Description:

### Higher efficiency, Maximum lighting flexibility, Less costs

With pluggable smart control options, user-installable lenses that can disperse light between 30 to 120 degrees. Efficiency up to 200 LPW and lumen packages between 8000 to 80,000 lumens. The Amazing linear LED high bay covers all your application needs, saves more energy and lowers more costs

## Benefits

- **Sensor pluggable intelligent design**, make your luminaire smart whenever you need
- **CCT & Power field-adjustable**, reduce SKUs by up to 80%, making it flexible enough for distributor stock and flow
- **Simply plug & power installation**, reduce labor cost by up to 50%. No internal fixture access required for installation or disconnecting power
- Lightweight, compact design reduces volume up to 50%, makes it easy to handle, **reduces shipping cost by up to 50%**
- Efficiency up to 150LPW and **200LPW**, help you save more energy costs
- Extensive Lumen Range, **8,000 to 80,000 lms** for 10'—80' mounting heights
- Easy **tool-free maintenance** and exchanging lenses
- **User-installable lenses**, **30°**, **50°**, **90°** and **120°** optics covering all your application needs
- Efficient pure aluminum heat dissipation, ensures a **longer lifespan**
- **Various mounting options** to meet different lighting needs



# Product Specifications :

## LED & Optical Assembly

- CCT: 3000K,4000K,5000K
- CRI: 70+ Standard (80,90 contact factory for lead-time)
- System Efficiency: Up to 150lm/W and 200lm/w optional
- Fixture Rated Life: L70 @ 100,000 hrs @ 55C
- TM-21 Calculation at 25 ° C: L70 @ 250,000 hrs minimum L90 @ 65,000 hrs minimum
- Distribution /Lenses: 120 degrees no lens standard (most efficient), 30, 50, 90, 120 degrees lens and diffused lens optional

## Electrical

- Input Wattage:60W, 80W,100W,120W,150W,200W,240W,300W,400W
- Input Voltage Range: 100-277VAC(347 and 480V available)
- System Power Factor (PF): >0.95
- Total Harmonic Distortion (THD): <20%

## Ratings & Evaluations

- Operating Temperature: -30 ° C to +55 ° C (-22 ° F to 131 ° F)
  - Surge Protection: 3kV driver surge protection
  - Suitable For Damp Locations
  - Safety: ETL/cETL Listed (pending)
  - Environmental: RoHS compliant
  - Utility: DLC 5.1(pending)
- not all models are DLC listed,Please refer to <http://www.designlights.org/QPL> for complete information

## Controls

- Dimming: 0-10VDC,Dim down to 5%, std. 0-10V Dim to off and Dali2 optional
- Wireless Networking & Sensing: Sensor ready pluggable receptacle - SR Motion Sensor <30 Ft - MS1 Motion Sensor <40 Ft - MS2 (IR remote sold separately to modify default settings sensors) Zigbee Wireless Sensor-ZG01
- Compatible with 3rd party smart network control system

## Mounting

- Typical Mounting: Standard Chain / Cable mount ready. Surface mount and Pendant mount kit optional.
- Inverted Mounting: Standard chain / Cable mount ready.
- Cord & Plugs: Standard = knockout access (no cord, no plug) 3ft, 6ft, 12ft, 15ft, 20ft Cord and plug and go cord options 15A, 20A, Straight or twist lock plug options

## Warranty

- 5-year warranty standard , **7-year warranty optional**

## Accessories (order separately)

- Sensor pluggable receptacle - SR
- Pluggable motion sensor <30 Ft - MS1
- Pluggable motion sensor <40 Ft - MS2
- Remote for settings sensors -RM1(at least one required per project)
- Zigbee Wireless Sensor-ZG01
- Zigbee Gateway-GW(100 fixture need 1, at least 1 required per project)
- Surge protector - SPT
- Emergency Battery - EM
- Pendant Mount Kit - PM
- Surface Mount Kit - SM
- Y-Cable w/hook - YC
- 120° Lens - 12L
- 90° Lens - 90L
- 55° Lens Narrow (Aisle) - 55L
- 30° Lens Narrow (Aisle) - 30L
- Diffused Lens - DL

# Energy and Performance Data

Typical Delivered Lumens	MODEL NO.	Standard			Max Ambient	Premium Efficiency (p)		
		Wattage	LPW (lm/W)			MODEL NO.	Wattage	LPW(lm/W)
8000	A-ALHB0850	55	153	65°C	A-ALHB0850	40	200	65°C
12000	A-ALHB1250	82	151	55°C	A-ALHB1250	66	193	65°C
15000	A-ALHB1550	96	150	50°C	A-ALHB1550	80	190	55°C
18000	A-ALHB1850	120	150	55°C	A-ALHB1850	98	185	50°C
24000	A-ALHB2450	150	150	50°C	A-ALHB2450	130	189	55°C
30000	A-ALHB3050	200	150	50°C	A-ALHB3050	150	190	50°C
36000	A-ALHB3650	240	150	50°C	A-ALHB3650	190	189	50°C
48000	A-ALHB4850	310	150	45°C	A-ALHB4850	240	191	50°C
60000	A-ALHB6050	400	150	45°C	A-ALHB6050	300	192	50°C
80000	A-ALHB8050	-	-	-	A-ALHB8050	400	190	45°C

Values based on 5000K, 70 CRI, no lens. tolerance +-5%

Optic Code (OMIT)	Optic Description	Output
	120° No Lens , std	100%
12L	120° Lens	90%
90L	90° Lens	93%
55L	55° Lens Narrow (Aisle)	92%
30L	30° Lens Narrow (Aisle)	91%
DL	Diffused Lens	85%

CRI	CCT	Output
70	5000K	100%
70	4000K	98%
80	5000K	95%
80	4000K	92%
80	3000K	87%
90	4000K	80%

## Shipping Data:

## Ordering Information:

MODEL SELECTION Typical order example: A-ALHB155090LSR											
PRODUCT ID	LUMEN OUTPUT	EFFICIENCY	CCT	OPTICS/LENS	Voltage	Dimming	SENSOR/WIRELESS	MOUNTING	CORD	PLUG	options
<b>A-ALHB</b>											
Amazing Series LED Linear High Bay	08=8000lm 12=12000lm 15=15000lm 18=18000lm 24=24000lm 30=30000lm 36=36000lm 48=48000lm 60=60000lm 80=80000lm	(OMIT)= Standard Efficiency, std; <b>P</b> =Premium Efficiency	<b>40</b> =4000K <b>45</b> =4500K <b>50</b> =5000K, Default is 5000K	(OMIT)=55-100W No Lens 120°,OTHER S with 90° lens , std, Max. Efficiency <b>12L</b> =120°Lens <b>90L</b> =90°Lens <b>55L</b> =55°Lens Narrow (Aisle) <b>30L</b> =30°Lens Narrow (Aisle) <b>DL</b> =Diffused	(OMIT)=120-277V, std <b>347</b> =347V <b>480</b> =480V	<b>D1</b> = 0-10VDC ,Dim down to 5%; <b>D0</b> = 0-10VDC ,Dim down to OFF; <b>DA</b> = Dali (No External Control Wiring, std,contact sales if needed)	(OMIT)=None, std ; <b>SR</b> =Sensor pluggable receptacle; <b>MS1</b> =Motion Sensor <30 Ft <b>MS2</b> =Motion Sensor <40 Ft (IR remote sold separately to modify default settings sensors)	(OMIT)=Standard Chain/Cable Mount, std <b>(chain not included)</b> <b>PM</b> = 3/4" Pendant Mount Kit <b>(conduit not included)</b> <b>SM</b> = Surface Mount <b>(Hardware not included)</b> <b>UPM</b> = Standard Inverted Mount	(OMIT)= knockout access (no cord, no plug), std ; <b>C3</b> =3 ft cord <b>C6</b> =6 ft cord <b>PPC3</b> =3 ft Plug & Power cord <b>PPC6</b> =6 ft Plug & Power cord	(OMIT)=None, std; <b>P1</b> =5-15P <b>P2</b> =5-20P <b>P3</b> =L5-15P <b>P4</b> =L6-15P <b>P5</b> =L7-15P <b>P6</b> =L7-20P <b>P7</b> =L8-20P <b>P8</b> =L2420P	<b>PR</b> =Plug & Power Receptacle (5-15R); <b>EM</b> =EM - Emergency Backup 8W ; <b>EM20</b> - Emergency Backup 20W; <b>SPT</b> =Surge protector 10kv <b>1PK</b> = Single Pack for distributor stocking. Default

ACE LED Light Co., Ltd

Tel: +86 0591-88235156 Fax: +86 0591-88235156 Contact: Jason Mob:86-13665067366

Address: Building A-71, Pushang Industrial Park, 1 Hong Jiang Road, Cangshan, Fuzhou, China

**ACE**  
—LED Light—