

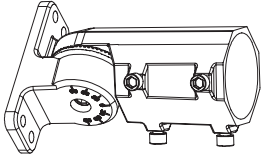
Slipfitter Mount

Area Light: 150-300W

Flood Light: 100-150W

(ALFLASFM, ALFLABSFM)

Installation Instructions



SAFETY INSTRUCTIONS AND WARNINGS

- When using electrical equipment, basic safety precautions should always be observed
- This product must be installed in accordance with the applicable installation code by a person familiar with the construction and operation of the product and the hazards involved
- Installation should only be conducted by a qualified electrician in accordance with NEC and any relevant local building codes.
- Be certain electrical power is OFF before and during installation and maintenance.
- To prevent wiring damage or abrasion, do not expose wiring to edges of sheet metal or sharp objects.

WHAT COMES IN THE BOX

Slipfitter
Allen Head Bolts (M8 x25) (x4)
Spring Washer M8 (x4)
Flat Washer M8 (x4)
Ground Washer M8 (x1)
Installation Instructions

REQUIRED TOOLS

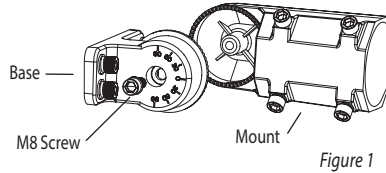
Allen Wrench / Hex Key

INSTRUCTIONS

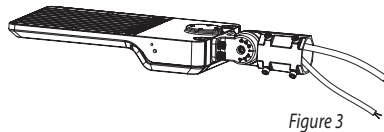
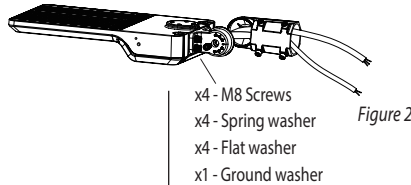
Before Installation, carefully remove all parts from the packaging. Inspect product for defects due to shipping.
Always turn off the power supply from main circuit breaker first!

SLIPFITTER MOUNT BRACKET INSTALLATION

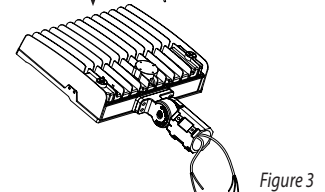
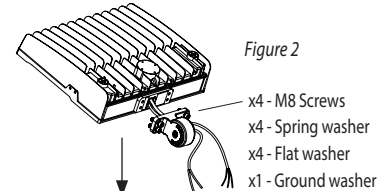
1. Separate base and mount by removing M8 screw. (Figure 1)
2. Run the input wire through the base (watch out not to scratch the wire). Affix the base with screws and lock to the fixture. (Figure 2)
3. Pass the wires through the mount (watch out not to scratch the wire). Install the mount and keep M8 screw loose. (Figure 3)



AREA LIGHTS



FLOOD LIGHTS

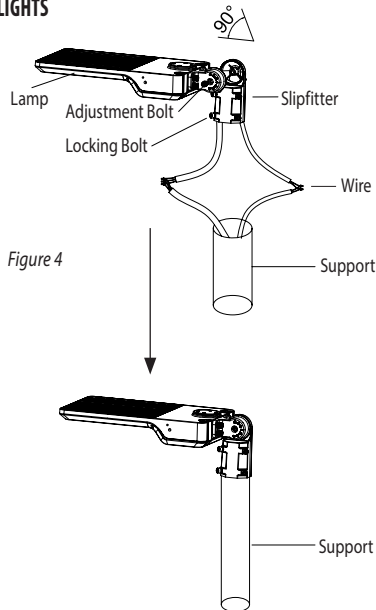


SLIPFITTER MOUNT INSTALLATION

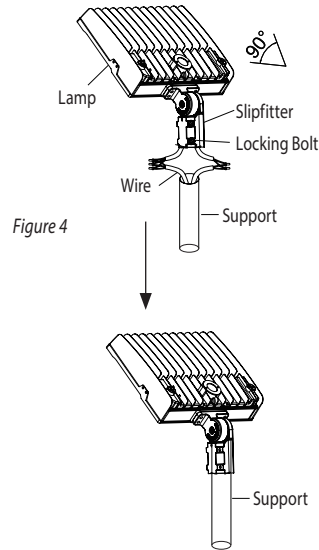
1. Finish the wire connection accordingly (refer to area light or flood light installation instructions for wiring diagram).
2. Align the fixture to required angle. Tighten M8 screw after angle is confirmed. (Figure 4)
3. Turn power back on.

Note: Adjustable angle is 0~+/-90°. (Figure 4)

AREA LIGHTS



FLOOD LIGHTS



Thank you for choosing

LITETRONICS®

6969 W. 73rd Street
Bedford Park, IL 60638

WWW.LITETRONICS.COM

CustomerService@Litetronics.com or 1-800-860-3392



**RoHS
Compliant**

The information and product specifications contained in these instructions are based upon data believed to be accurate at the time of printing. This information is subject to change without notice and without incurring liability. If you have questions regarding specific product details, please contact us at 800-860-3392 or via email at customerservice@litetronics.com. To check for an updated version of these instructions, please visit www.litetronics.com.