

Project Name:	Part Number:	Type:
---------------	--------------	-------

SMALL AREA LIGHT - 56W & 90W

OUTDOOR



407-478-3759
www.ilp-inc.com

FEATURES

- Bronze die-cast aluminum housing
- Custom and factory select colors available (Contact factory for pricing)
- Type II, III, IV, & VS optics available
- Tool-less hinged drop down driver access
- Universal Pole Mounting Bracket available (UPMB)
- Swappable driver cover
- IP66 Rated
- 3000K, 4000K, & 5000K color options
- 0-10V Dimmable Driver
- Dark Sky Compliant^{1,2}
- 5 Year Warranty
- DesignLights Consortium® Premium Qualified Luminaire



¹ Must select 3000K to qualify

² Must select UPMB, ARM6, or HTMA mounting options to qualify



SUITABLE APPLICATIONS

- Parking Lots
- Car Dealerships
- Roadways
- Shopping Centers

LED SYSTEMS INFO		T2	T3	T4	T5S			T2	T3	T4	T5S
Calculated L ₇₀ (TM-21)	56W	>100K	>100K	>100K	>100K	90W	>100K	>100K	>100K	>100K	
Calculated L ₉₀		50K	50K	50K	50K		55K	55K	55K	55K	
Delivered Lumens		8,436 lm	8,356 lm	8,217 lm	8,427 lm		12,846 lm	12,773 lm	12,461 lm	12,721 lm	
Total Input Watts		58W	58W	58W	58W		94W	95W	94W	94W	
Luminaire Efficacy Rating (LER)		145 lm/W	144 lm/W	143 lm/W	145 lm/W		136 lm/W	135 lm/W	132 lm/W	135 lm/W	
Correlated Color Temperature (CCT)		4000K	4000K	4000K	4000K		4000K	4000K	4000K	4000K	
Color Rendering Index (CRI)		>70	>70	>70	>70		>70	>70	>70	>70	
BUG Rating		B2-U0-G2	B2-U0-G2	B2-U0-G2	B2-U0-G2		B3-U0-G3	B3-U0-G3	B2-U0-G2	B4-U0-G2	
Ambient Temperature Range		-40°F- 120°F	-40°F- 120°F	-40°F- 120°F	-40°F- 120°F		-40°F- 148°F	-40°F- 148°F	-40°F- 148°F	-40°F- 148°F	
Universal Driver		120-277 V	120-277 V	120-277 V	120-277 V		120-277 V	120-277 V	120-277 V	120-277 V	

LED System data above based on AL-56W-U-40-T2, AL-56W-U-40-T3, AL-56W-U-40-T4, AL-56W-U-40-T5S, AL-90W-U-40-T2, AL-90W-U-40-T3, AL-90W-U-40-T4 & AL-90W-U-40-T5S
LED Lumen maintenance estimates based on TM-21 projections for the light source at 25 C ambient.

ORDERING GUIDE:

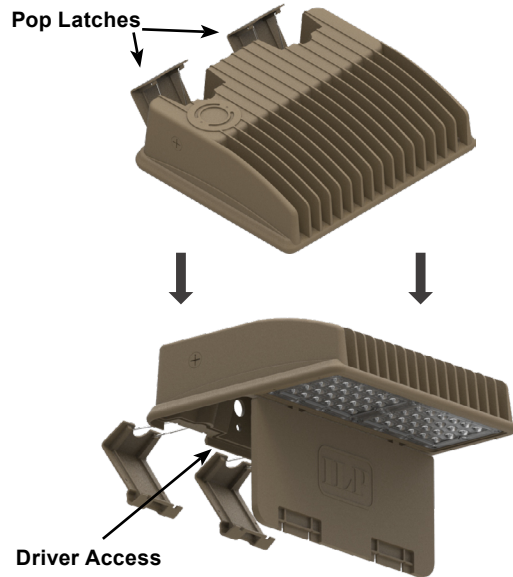
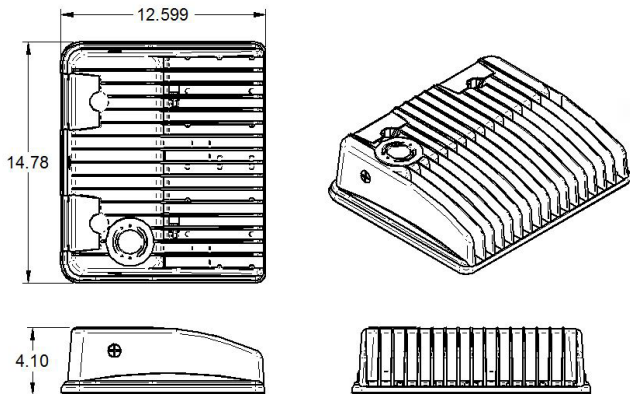
Series	Watts	Driver	Color	Optics	Options	
AL Sm Area Light	56W	U 120-277V Driver	50	T2	ARM6-S	6" Straight Arm Adaptor for Square Pole (Standard)
				T3	ARM6-Rx	6" Straight Arm Adaptor for Round Pole (x = diameter)
	90W	HV 347-480V Driver	30	T4	UPMB	Universal Pole Mounting Bracket
				T5S	UPMB/R	Universal Pole Mounting Bracket w/ Round Pole Adapter 4"-5"
					WMB	Wall Mount Bracket
				AL-SLPF	Adjustable Slip Fitter	
				AL-SB	Adjustable Swivel Bracket	
				HTMA	Horizontal Tenon Mount Adaptor	
				HSS*	House Side Shield	
				GS	Glare Shield	
				SP1	10kA Max Univolt Surge Protector	
				SP2	22kA Max Univolt Surge Protector	
				SP480V2	20kA MAX 480V Surge Protector	
				TLPC	Univ. twist lock photocell factory installed receptacle w/ field installed photocell	
				7PIN/PC/R	7 Pin Photocell Factory Installed Receptacle	
				FUSE/SXXX	Single-line Voltage Fuse (120, 277, 347)	
				FUSE/DXXX	Dual-line Voltage Fuse (208, 240, 480)	
				WLOS	Wet Location Rated Occupancy Sensor	
				USBD	User Select Bi-Level Din w/ Occ. Sensor	
				BDxx	Preset Bi-Level Dim Sensor (xx=% eg. 20, 30)	
				BDxxPC	Preset Bi-Level Dim Sensor w/ Photocell (xx=% eg. 20, 30)	
				FSIR/100	Remote Configuration Tool for WLOS & USBD Control Options	
				SD480V	480V Step Down Transformer	
				SD347V	347V Step Down Transformer	

* Due to the optical pattern of the T5S optic the HSS is not applicable

SMALL AREA LIGHT - 56W & 90W

OUTDOOR

TOOL-LESS DRIVER ACCESS



MOUNTING OPTIONS

- **UPMB** - Universal Pole Mounting Bracket
- **UPMB/R** - Universal Pole Mounting Bracket
- **WMB** - Wall Mount Bracket
- **AL-SLPF** - Adjustable Slip Fitter
- **AL-SB** - Swivel Bracket
- **HTMA** - Horizontal Tenon Mount Adaptor
- **ARM6-S** - 6" Straight Arm Adaptor For Square Pole
- **ARM6-Rx** - 6" Straight Arm Adaptor For Round Pole ($x = \emptyset$)

EPA RATINGS	ARM6-S	UPMB	HTMA	AL-SLPF	AL-SB
AL-56W & 90W	0.61 ft ²	0.76 ft ²	0.58 ft ²	0.71 ft ²	0.60 ft ²

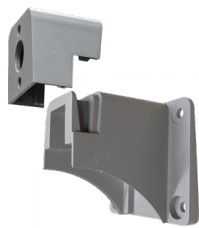
WEIGHT

17.2 LB

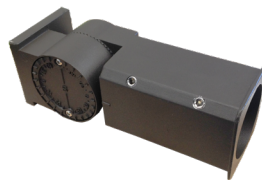
* EPA Ratings listed assume fixture is mounted horizontally. For adjustable mounting options, EPA will vary with selected angle.



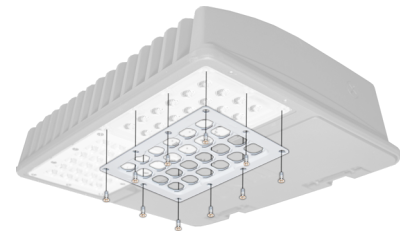
UPMB



WMB



AL-SLPF



HSS
(House Side Shield)



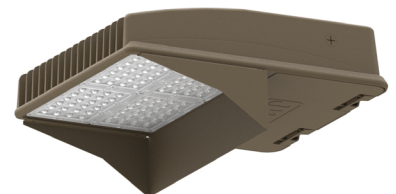
AL-SB



HTMA



ARM6-S
(Available for Square or Round Pole)

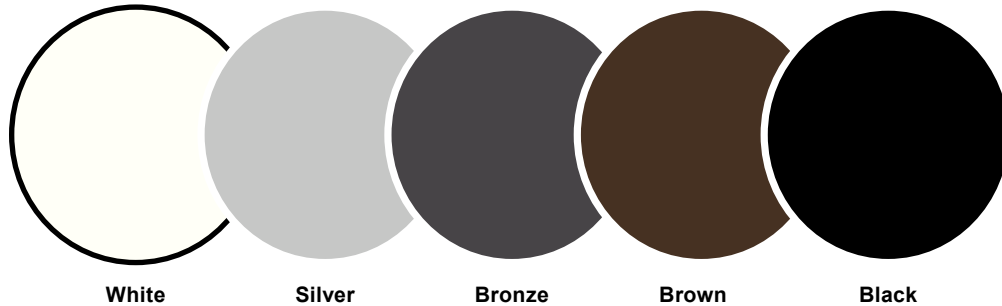


GS
(Glare Shield)

SMALL AREA LIGHT - 56W & 90W

OUTDOOR

FACTORY SELECT COLOR GUIDE



COLOR NAME AND DESCRIPTION	SHEEN	PRODUCT	VENDOR	PRICING
WHT - ILP White	SEMI GLOSS	POLANE T	SHERWIN-WILLIAMS	Contact Factory for Pricing
SLV - ILP Silver - Ultrasonic Chrome	GLOSS	POLANE T	SHERWIN-WILLIAMS	Contact Factory for Pricing
BRZ - ILP Bronze - std. & in stock	SEMI GLOSS	POLANE T	SHERWIN-WILLIAMS	Standard
BRN - ILP Brown	SEMI GLOSS	POLANE T	SHERWIN-WILLIAMS	Contact Factory for Pricing
BLK - ILP Black	SEMI GLOSS	POLANE T	SHERWIN-WILLIAMS	Contact Factory for Pricing

**COLORS SHOWN ABOVE ARE TO BE USED AS REFERENCE, NOT EXACT MATCH.
PLEASE REQUEST PAINT CHIPS FOR EXACT MATCH.**

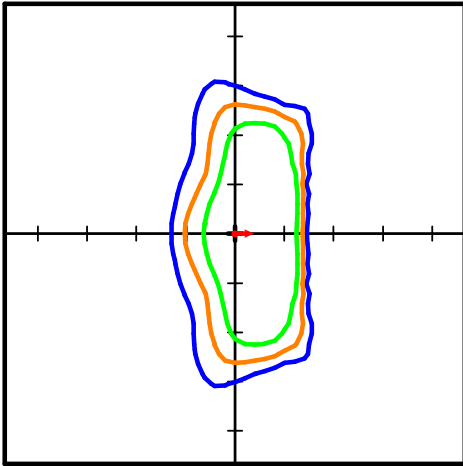
SMALL AREA LIGHT - 56W & 90W

OUTDOOR

PHOTOMETRIC REPORTS

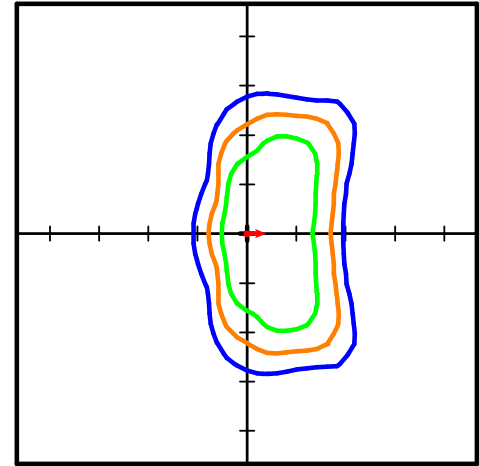
Photometric values based upon tests performed in compliance with LM-79. IES files can be downloaded at www.ilp-inc.com
Blue = .5 fc, Orange = 1 fc, & Green = 2 fc

AL-56W-U-40-T2



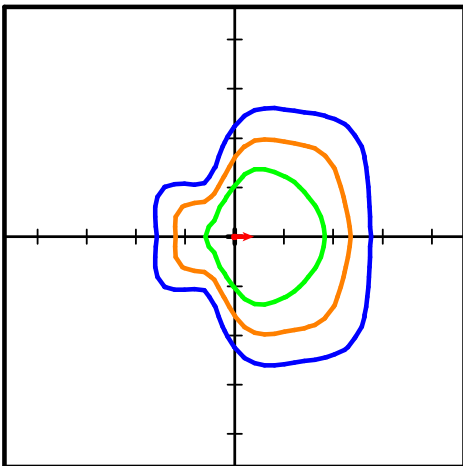
Horizontal Footcandles
Scale: 1 inch = 20ft
Luminaire Lumens = 8436
Mounting Height = 15.00 Ft
Maximum Calculated Value = 6.09 Fc

AL-56W-U-40-T3



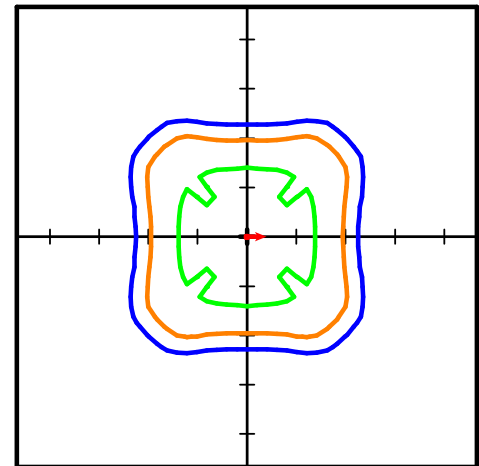
Horizontal Footcandles
Scale: 1 inch = 20ft
Luminaire Lumens = 8355
Mounting Height = 15.00 Ft
Maximum Calculated Value = 5.81 Fc

AL-56W-U-40-T4



Horizontal Footcandles
Scale: 1 inch = 20ft
Luminaire Lumens = 8357
Mounting Height = 15.00 Ft
Maximum Calculated Value = 6.55 Fc

AL-56W-U-40-T5S



Horizontal Footcandles
Scale: 1 inch = 20ft
Luminaire Lumens = 8324
Mounting Height = 15.00 Ft
Maximum Calculated Value = 2.90 Fc

SMALL AREA LIGHT - 56W & 90W

OUTDOOR

PHOTOMETRIC REPORTS

Photometric values based upon tests performed in compliance with LM-79. IES files can be downloaded at www.ilp-inc.com
Blue = 2 fc, Orange = 1 fc, & Green = .5 fc

