



SPECIFICATION SHEET

302-0800D



ANSI TYPE R CLASS 2 BLACK TWO-TONE ELEVEN POCKET TECH-READY MESH SURVEYORS VEST

- Breathable polyester mesh
- 2" black two-tone tape for optimum visibility
- All-around black reflective trim for added visibility and safety
- Zipper closure
- D-ring access
- Mic tabs with reinforced stitching
- Padded neck for comfort when vest is loaded down with tools
- Grommets at neck for tool keepers/lanyards
- I.D. pocket and radio/cell pocket
- 2 internal pockets
- 1 chest pocket with 4 pen pockets on left chest
- 1 tablet pocket
- 2 lower pockets
- 1 large back pocket with snap closure

APPLICATIONS

- Roadway construction workers
- Survey crews
- Utility workers
- Railway & metro workers
- Emergency response personnel

CARE INSTRUCTIONS

Machine wash, 104°F max, 30 cycles. Always wear fastened.
The high visibility properties of this garment must be kept clean to be effective. If faded or permanently soiled it must be replaced with a new one.

TECHNICAL DATA

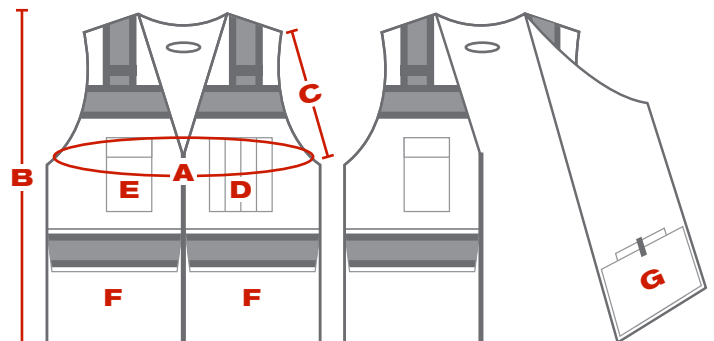
MATERIAL	100% Polyester
CONSTRUCTION	Main Fabric: 120g/m ² 100% polyester mesh Accessories: 2" Local sewn-on reflective tape, #8 resin zipper, black reflective trim
COLOR	Hi-Vis Lime Yellow or Hi-Vis Orange
SIZES	S - 5X
PACKAGING	1 per poly bag, 5 per inner pack, 50 per case
CASE DIMENSIONS	21.3" x 18.9" x 14.2" / 54cm x 48cm x 36cm
CASE WEIGHT	41.9 lbs / 19 kg
COO	China

barcodes on next page



DIMENSIONS (in/cm)

	S	M	L	XL	2X	3X	4X	5X
A	45 / 114	47 / 120	49.5 / 126	52 / 132	54.5 / 138	56.5 / 144	59 / 150	61.5 / 156
B	27 / 69	28 / 71	28 / 71	28 / 71	29 / 73.5	29 / 73.5	30 / 76	30 / 76
C	11.5 / 29	11.8 / 30	12 / 30.5	12.2 / 31	12.4 / 31.5	12.6 / 32	12.8 / 32.5	13 / 33
D	5.5"(W) x 5.9"(H)							
E	3.5"(W) x 5.7"(H)							
F	7.3"(W) x 7.7"(H)							
G	¼ Chest Width x 7.5"(H)							





SPECIFICATION SHEET

302-0800D

BARCODES

ITEM	BAG	INNER PACK	CASE
302-0800D-LY/S	616314225123	01616314225122	02616314225121
302-0800D-LY/M	616314225130	01616314225139	02616314225138
302-0800D-LY/L	616314224744	01616314224743	02616314224742
302-0800D-LY/XL	616314225147	01616314225146	02616314225145
302-0800D-LY/2X	616314225154	01616314225153	02616314225152
302-0800D-LY/3X	616314225161	01616314225160	02616314225169
302-0800D-LY/4X	616314225178	01616314225177	02616314225176
302-0800D-LY/5X	616314225185	01616314225184	02616314225183
302-0800D-OR/S	616314225192	01616314225191	02616314225190
302-0800D-OR/M	616314225208	01616314225207	02616314225206
302-0600D-OR/L	616314225215	01616314225214	02616314225213
302-0600D-OR/XL	616314225222	01616314225221	02616314225220
302-0600D-OR/2X	616314225239	01616314225238	02616314225237
302-0600D-OR/3X	616314225246	01616314225245	02616314225244
302-0600D-OR/4X	616314225253	01616314225252	02616314225251
302-0600D-OR/5X	616314225260	01616314225269	02616314225268