

Yonah

LED Linkable Fixtures



Yonah

Beyond LED Yonah Linkable T8 LED Integrated Lamps perform efficiently in conditions where low voltage, halogen, or fluorescent luminaires have traditionally been used. Our LED tubes incorporate integral drivers, are self-supporting, and can be surface mounted. Individual units can be plugged together for continuous lengths up to 32 feet. Our Yonah Lamps connect directly to line voltage and can be used in any interior space.

- Operates directly from line voltage
- Usable as a stand-alone fixture
- Linkable up to 300W at AC120V
- Linkable up to 600W at 220-270V
- Efficacy up to 140 Lumens per watt
- Aluminum and PC housing
- Rated IP22 for indoor use
- Universal 100-277Vac 50-60Hz
- Rated lifetime 50,000 hours

Specifications

SKU #	Model #	Watts	Lumens	CCT	Lens	Length	Certifications
151716	BLT-T8-30P4FT-INT26500K-S	30W	4200Lm	6500K	Striped	4'	ETL
151717	BLT-T8-30P4FT-INT26500K-C	30W	4200Lm	6500K	Clear	4'	ETL
153496	BLT-T8-30P4FT-INT2(5000K)-F	30W	4200Lm	5000K	Frosted	4'	ETL & DLC
153837	BLT-T8-30P4FT-INT2(4000K)-F	30W	4200Lm	4000K	Frosted	4'	ETL & DLC
151623	BLT-T8-60P8FT-INT26500K-F	60W	8400Lm	6500K	Frosted	8'	ETL
153547	BLT-T8-60P8FT-INT2(5000K)-F	60W	8400Lm	5000K	Frosted	8'	ETL
151715	BLT-T8-60P8FT-INT26500K-C	60W	8400Lm	6500K	Clear	8'	ETL
151624	BLT-T8-60P8FT-INT26500K-S	60W	8400Lm	6500K	Striped	8'	ETL
153838	BLT-T8-60P8FT-INT2(4000K)-F	60W	8400Lm	4000K	Frosted	8'	ETL & DLC
152574	BLT-T8-90P8FT-INT4(5000K)-C	90W	12600Lm	5000K	Clear	8'	ETL

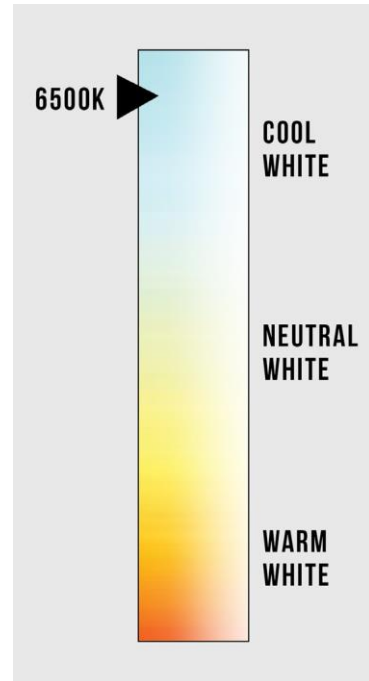


Input Voltage	Power Factor	CRI	Beam Angle
100-277 VAC 50/60 HZ	>0.95	>80	120

Fixture Specifications

Body	Aluminum + PC Cover
Light Source	SMD2835 LED
Lens	Frosted / Clear / Strip
THD	≤ 20%
Lifetime	5 years

CORRELATED COLOR TEMPERATURE (CCT)



Others

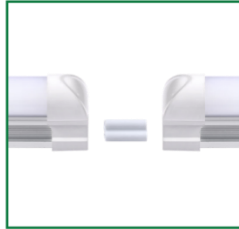
Environmental Requirements	Operation Temperature: -30°C to 65°C IP22 indoor use non-corrosive environments
-----------------------------------	---

Warranty

Warranty	5 Years
-----------------	---------

Dimensions

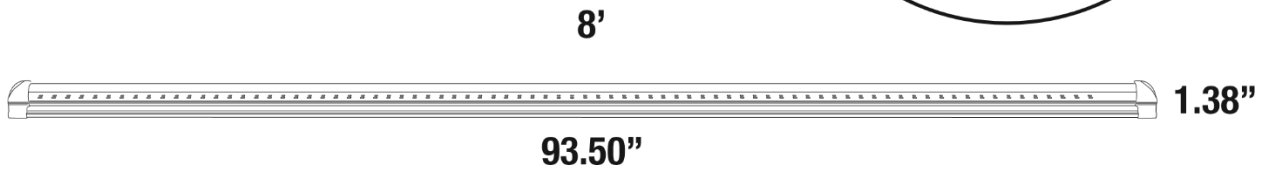
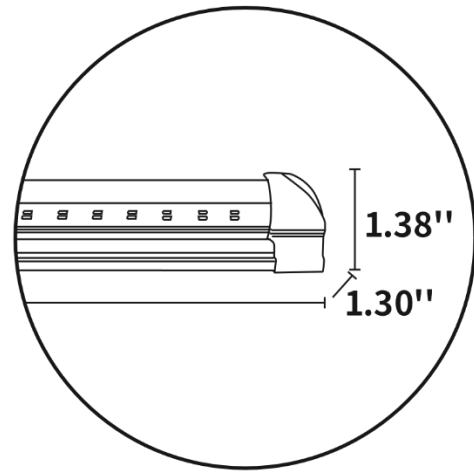
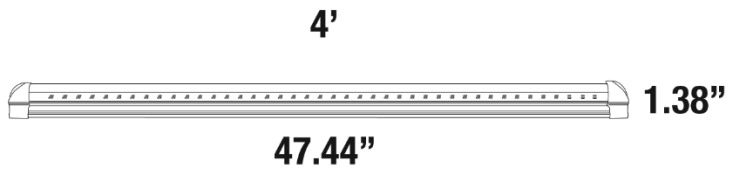
Linkable Options



Mounting Clips



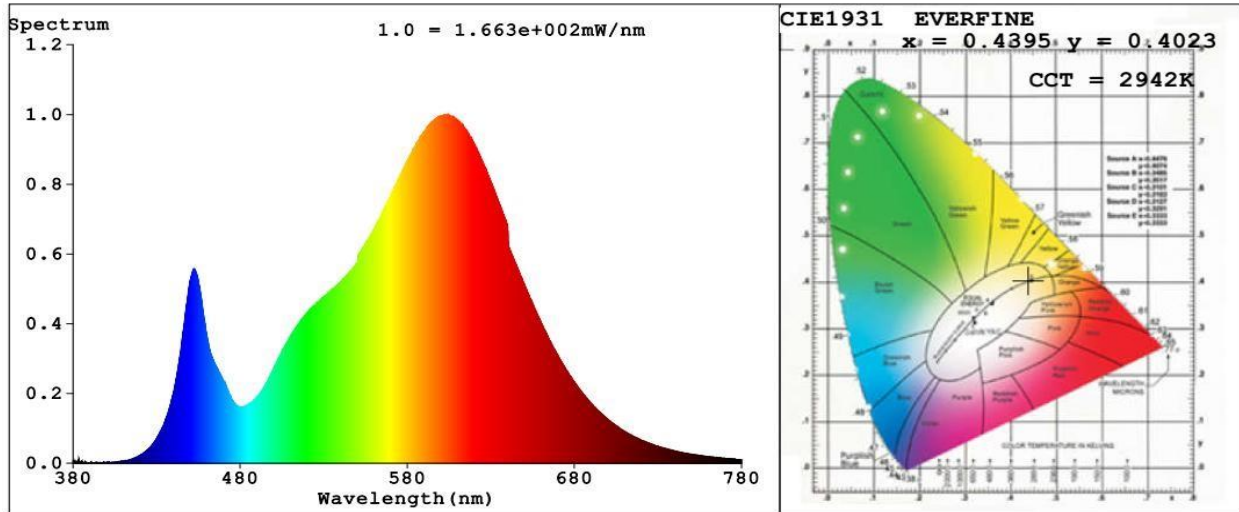
Dimensions



Optional Installation, Hanging



Distribution Diagram



Chromaticity Measurement - Sphere-Spectroradiometer

Method(Self-absorption):

Parameter		Result	Special Color Rendering Indices			
Test Voltage (V)		120	R1	78	R9	0
Frequency (Hz)		60	R2	90	R10	77
CCT (K)		2942	R3	96	R11	75
Duv		-0.0011	R4	77	R12	68
Chromaticity (x, y)		x=0.4395 y=0.4023	R5	78	R13	81
Chromaticity (u', v')		u'=0.2530 v'=0.5211	R6	87	R14	98
Color Rendering Index (CRI)		80	R7	80	R15	70
R9		0	R8	54	--	--

Photometric Measurement - Sphere-Spectroradiometer Method:

Parameter	Results		DLC V4.4 Pass Criteria	
Test Voltage (V)	120	277	--	
Frequency (Hz)	60	60	--	
Total Luminous (lm)	8265	8323	≥375 lm/ft (-10%)	
Luminous Efficacy (lm/W)	135.43	137.82	Standard: ≥	Premium: ≥
			105(-3%)	130(-3%)

Packaging

Tube Length	Box Size	Box weight	Box quantity
4'	50" X 17" X 10"	43 LBS	50 PCS
8'	97" X 9" X 9"	34 LBS	20 PCS



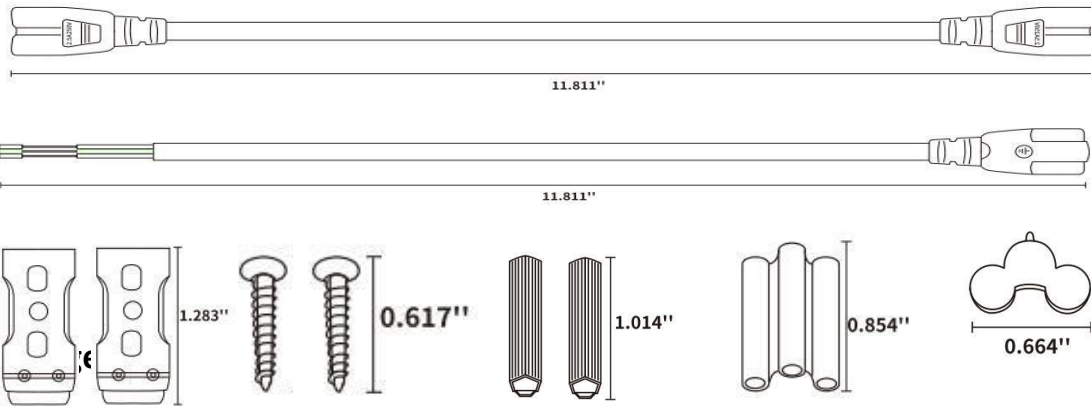
Application



Installations



1. Standard accessories are given below:



2. Installation instruction:

