



Yonah

LED Linkable Fixtures



Yonah Series

Beyond LED Yonah Linkable T8 LED Integrated Lamps perform efficiently in conditions where low voltage, halogen, or fluorescent luminaires have traditionally been used. Our LED tubes incorporate integral drivers, are self-supporting, and can be surface mounted. Individual units can be plugged together for continuous lengths up to 32 feet. Our Yonah Series Lamps connect directly to line voltage and can be used in any interior space.

- Operates directly from line voltage
- Usable as a stand-alone fixture
- Linkable up to 300W at AC120V
- Linkable up to 600W at 220-270V
- Efficacy up to 140 Lumens per watt
- Aluminum and PC housing
- Rated IP22 for indoor use
- Universal 100-277Vac 50-60Hz
- Rated lifetime 50,000 hours

Yonah

LED Linkable Fixtures

Yonah

SKU #	Model #	Watts	Lumens	CCT	Lens	Length	Certifications
151716	BLT-T8-30P4FT-INT26500K-S	30W	4200Lm	6500K	Striped	4'	ETL
151717	BLT-T8-30P4FT-INT26500K-C	30W	4200Lm	6500K	Clear	4'	ETL
153496	BLT-T8-30P4FT-INT2(5000K)-F	30W	4200Lm	5000K	Frosted	4'	ETL & DLC
153837	BLT-T8-30P4FT-INT2(4000K)-F	30W	4200Lm	4000K	Frosted	4'	ETL & DLC
151623	BLT-T8-60P8FT-INT26500K-F	60W	8400Lm	6500K	Frosted	8'	ETL
153547	BLT-T8-60P8FT-INT2(5000K)-F	60W	8400Lm	5000K	Frosted	8'	ETL
151715	BLT-T8-60P8FT-INT26500K-C	60W	8400Lm	6500K	Clear	8'	ETL
151624	BLT-T8-60P8FT-INT26500K-S	60W	8400Lm	6500K	Striped	8'	ETL
153838	BLT-T8-60P8FT-INT2(4000K)-F	60W	8400Lm	4000K	Frosted	8'	ETL & DLC
152574	BLT-T8-90P8FT-INT4(5000K)-C	90W	12600Lm	5000K	Clear	8'	ETL

Specifications

Input Voltage	Power Factor	CR	Beam angle
100-277 VA 50/60HZ	>0.95	Ra>80	120°

(866) 786-1117 • www.BeyondLEDTechnology.com²

Due to continuous product improvement, information in this document is subject to change.

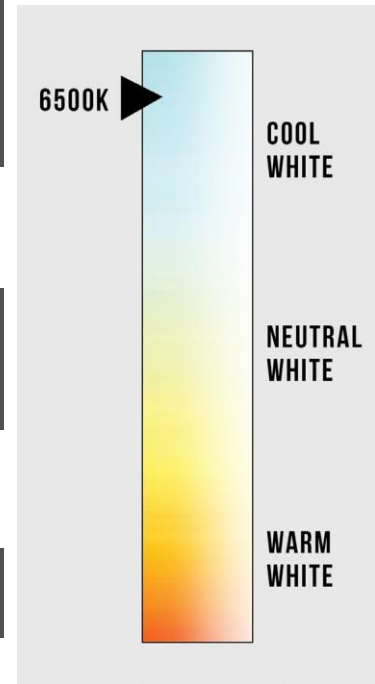
Yonah

LED Linkable Fixtures

Fixture Specifications

Body	Material: Aluminum+PC cover
Light source	SMD2835 LED
Lens	Frosted / Clear / Striped
THD	≤20%
Lifetime	50,000 Hours

CORRELATED COLOR TEMPERATURE (CCT)



Others

Environmental Requirements	Operation Temperature: -30°C to 65°C IP22 indoor use Non-corrosive environments
----------------------------	---

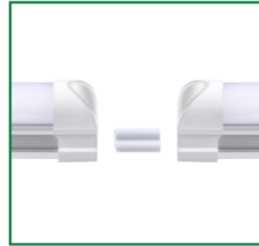
Warranty

Warranty	5 ..
----------	------

Yonah

LED Linkable Fixtures

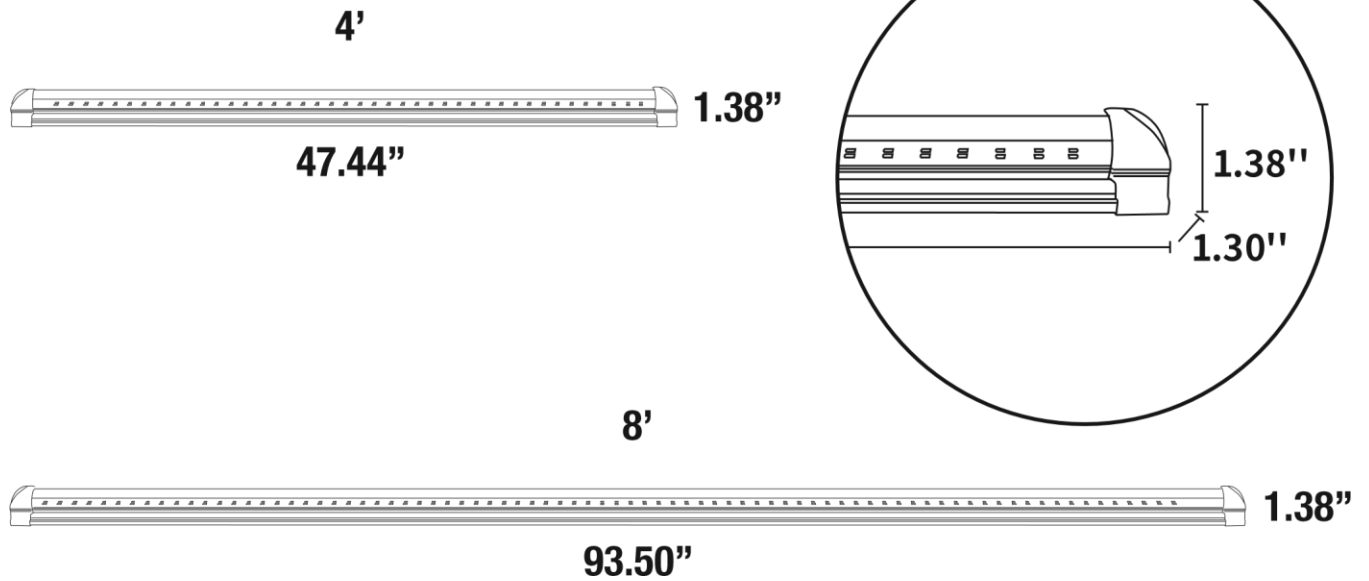
Linkable Options



Mounting Clips



Dimensions



Optional Installation, Hanging



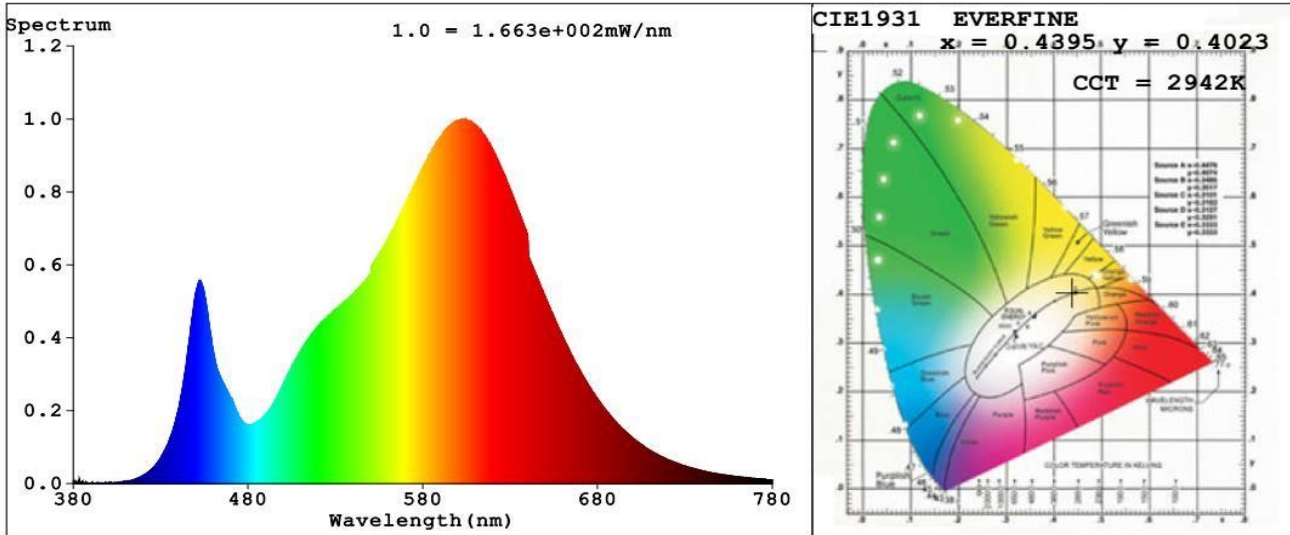
(866) 786-1117 • www.BeyondLEDTechnology.com 4

Due to continuous product improvement, information in this document is subject to change.

Yonah

LED Linkable Fixtures

Distribution Diagram



Chromaticity Measurement - Sphere-Spectroradiometer Method(Self-absorption):

Parameter	Result
Test Voltage (V)	120
Frequency (Hz)	60
CCT (K)	2942
Duv	-0.0011
Chromaticity (x, y)	x=0.4395 y=0.4023
Chromaticity (u', v')	u'=0.2530 v'=0.5211
Color Rendering Index (CRI)	80.0
R9	0

Special Color Rendering Indices			
R1	78	R9	0
R2	90	R10	77
R3	96	R11	75
R4	77	R12	68
R5	78	R13	81
R6	87	R14	98
R7	80	R15	70
R8	54	--	--


Photometric Measurement - Sphere-Spectroradiometer Method:

Parameter	Result		DLC V4.4 Pass Criteria	
Test Voltage (V)	120	277	--	
Frequency (Hz)	60	60		
Total Luminous (lm)	8265	8323	≥375 lm/ft (-10%)	
Luminous Efficacy (lm/W)	135.43	137.82	Standard: ≥105(-3%)	Premium: ≥130(-3%)

Yonah

LED Linkable Fixtures

Tube Length	Box Size	Box weight	Box quantity
4'	50" X 17" X 10"	43 LBS	50 PCS
8'	97" X 9" X 9"	34 LBS	20 PCS



Application



(866) 786-1117 • www.BeyondLEDTechnology.com 6

Due to continuous product improvement, information in this document is subject to change.

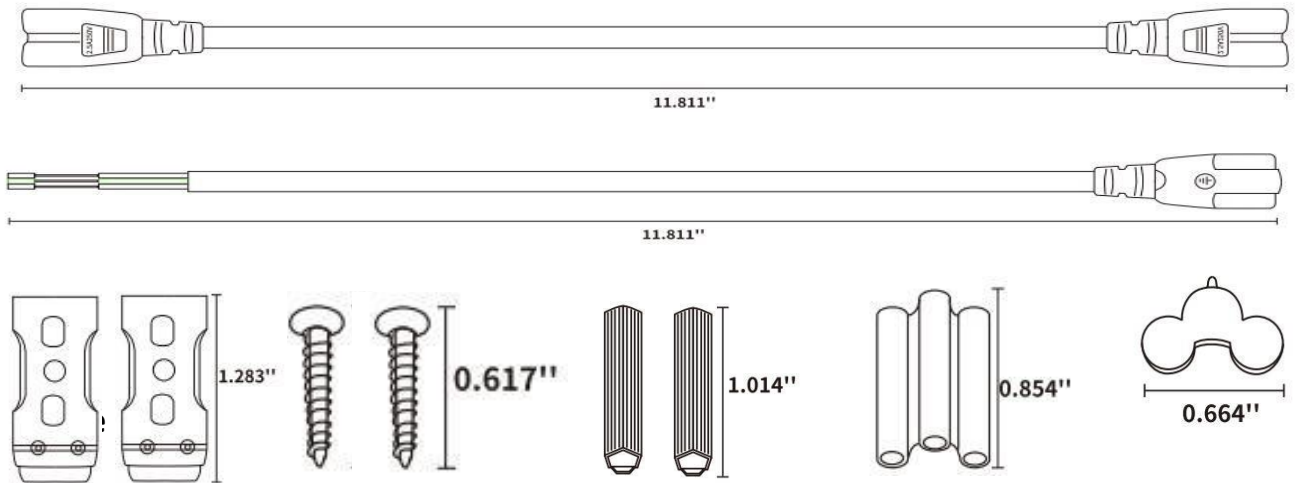
Yonah

LED Linkable Fixtures

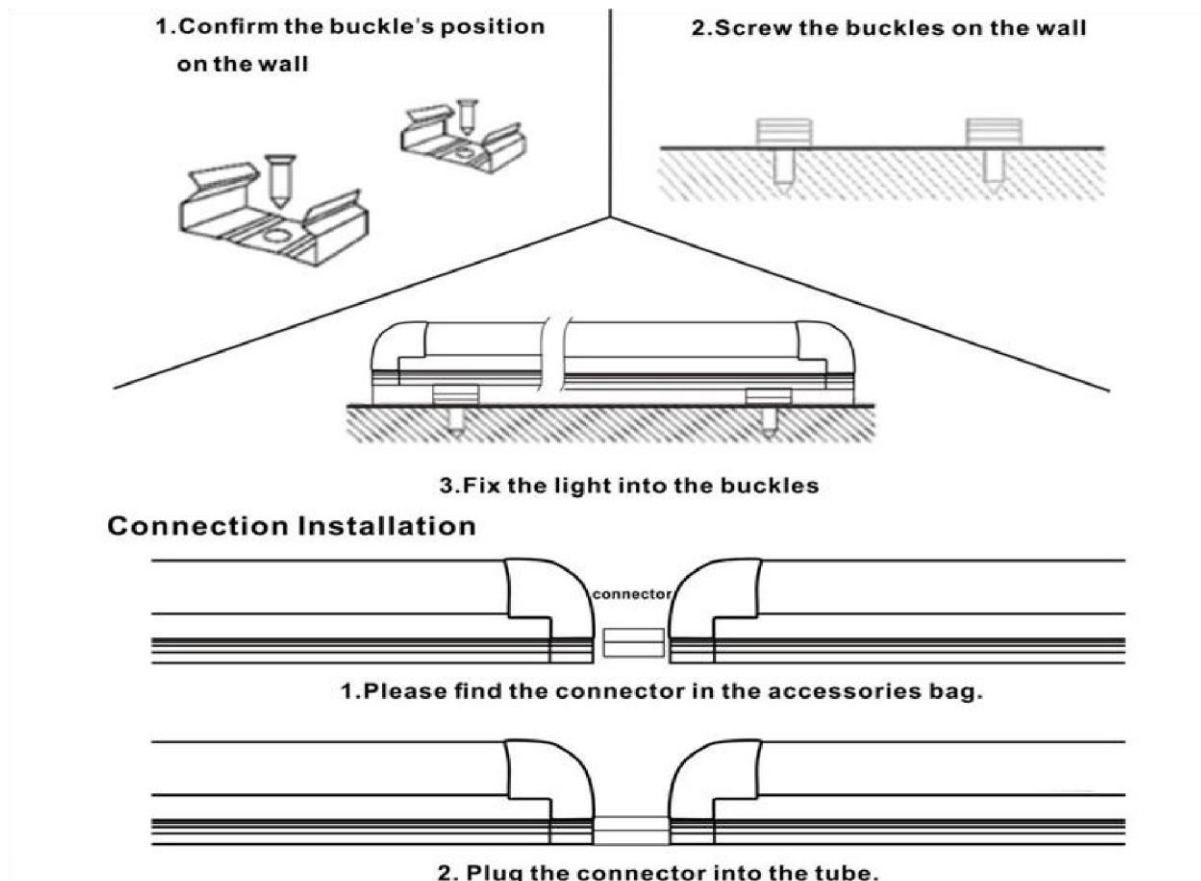


Installation

1. Standard accessories included as below:



2. Installation instruction:



Due to continuous product improvement, information in this document is subject to change.