

ZOHO 4th Gen Premium Edition



Universal Mount

SKU #153513



Yoke Mount

SKU #153514



**Optional
Photocell**

SKU #110786

The ZOHO 4th Generation Premium Edition Area Light is included amongst Beyond LED Technology's best-selling products, with over 200,000 pieces sold in the last three years. The ZOHO 4th Generation Area Light offers high efficacy, with up to 170 lumens per watt for maximum power savings, and rebates from power companies. These Area Lights have a new heat sink design that ensures a longer lifespan for the products. These products are a perfect solution primarily for outdoor applications such as lighting parking areas, loading docks, and other general lighting applications.

Product Features

- Operating temperature: -40°C to 45°C
- Up to 170 Lumens per Watt efficacy
- 0-10V Dimming capability
- Optional 3 pin screw-in photocell
- Built-in 10KV Surge protector
- Multiple bracket options
- UL & DLC approved
- Ultra-thin sleek design
- This product is IP65 rated
- Heat resistant polycarbonate optical lens
- Die-cast aluminium housing
- Spotless soft light without shadow
- High efficacy Bridgelux 3030 Chips
- Universal 120-277Vac
- No UV or IR in the beam
- Environment friendly with no mercury
- Easy to install and operate, with instant startup and no humming
- Energy saving with long lifespan



SKU #	Model #	Watts	Housing	CCT	Lumens	Input Voltage	Certification
153505	BLT-S-GB-150WXYZA5-abcdefgh	150W	Grey	5000K	25500LM	120-277V	UL & DLC
153507	BLT-S-GB-300WXYZA5-abcdefgh	300W	Grey	5000K	51000LM	120-277V	UL & DLC
153509	BLT-S-GB-300WXYZA5-abcdefgh	300W	Bronze	5000K	51000LM	120-277V	UL & DLC
154100	BLT-S-GB-300WXYZA5-abcdefgh	300W	Black	5000K	51000LM	120-277V	UL & DLC
154101	BLT-S-GB-300WXYZA5-abcdefgh	300W	Bronze	5000K	51000LM	120-277V	UL & DLC
153513	Universal Mount	-	-	-	-	-	-
153514	Yoke Mount	-	-	-	-	-	-
110786	Optional Photocell	-	-	-	-	-	-

SKU Number 153505 Specifications

Parameter	Description	Value
General Performance	Model #	BLT-S-GB-150WXYZA5-abcdefgh
	Wattage	150W
	Lumen	Up to 25500LM
	Lumen Efficacy	Up to 180LM/W
	Color Temperature	5000K
	CRI (Ra)	>70
	Beam Angle	140 * 100 Degree
	Distribution Pattern	Type III
Electrical	Input Voltage	120-277Vac
	Frequency	50/60Hz
	Dimming	0-10V dimming standard
	PF	≥0.9
	Driver	Non-Isolated
	Surge Protector	10KV
Physical	Operating Temperature	-40°C TO 45°C
	Storage Temperature	-40°C TO 80°C
	Operating Humidity	20% - 90% RH
	Storage Humidity	10% - 95% RH
	LED Brand	Bridgelux
	LED Type	3030
	LED QTY	304PCS
	Housing	Aluminium
	Housing Color	Grey
Qualification	IP Rating	IP65
	Warranty	5 years warranty with 24/7 operating hours Luminaire lifetime at 25°C

SKU Number 153507 Specifications

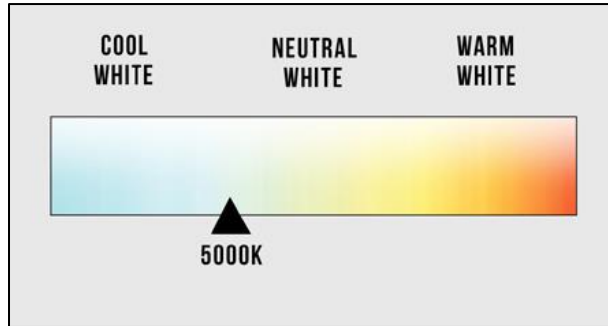
Parameter	Description	Value
General Performance	Model #	BLT-S-GB-300WXYZA5-abcdefgh
	Wattage	300W
	Lumen	Up to 51000LM
	Lumen Efficacy	Up to 180LM/W
	Color Temperature	5000K
	CRI (Ra)	>70
	Beam Angle	140 * 100 Degree
	Distribution Pattern	Type III
Electrical	Input Voltage	120-277Vac
	Frequency	50/60Hz
	Dimming	0-10V dimming standard
	PF	≥0.9
	Driver	Non-Isolated
	Surge Protector	10KV
Physical	Operating Temperature	-40°C TO 45°C
	Storage Temperature	-40°C TO 80°C
	Operating Humidity	20% - 90% RH
	Storage Humidity	10% - 95% RH
	LED Brand	Bridgelux
	LED Type	3030
	LED QTY	608PCS
	Housing	Aluminium
	Housing Color	Grey
Qualification	IP Rating	IP65
	Warranty	5 years warranty with 24/7 operating hours Luminaire lifetime at 25°C



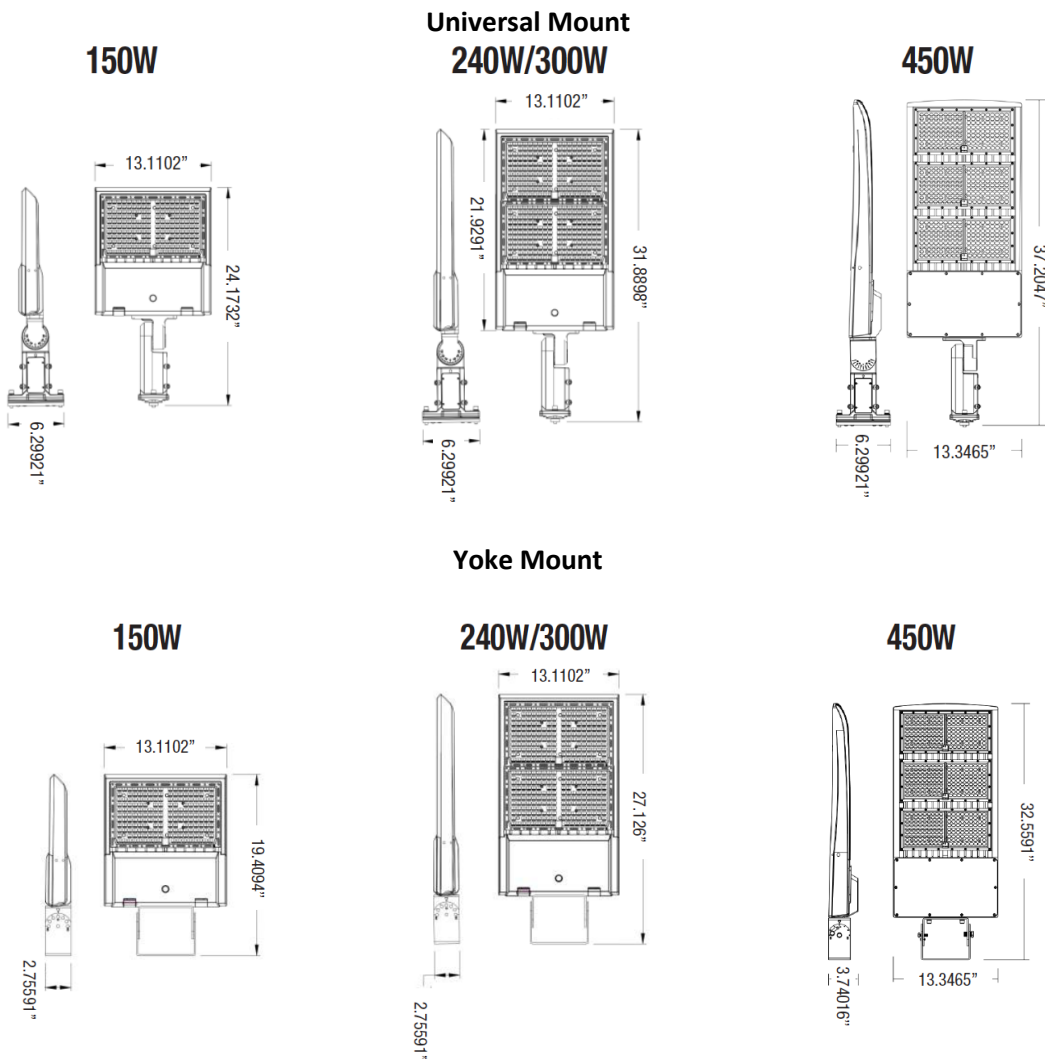
SKU Number 153509 Specifications

Parameter	Description	Value
General Performance	Model #	BLT-S-GB-300WXYZA5-abcdefgh
	Wattage	300W
	Lumen	Up to 51000LM
	Lumen Efficacy	Up to 180LM/W
	Color Temperature	5000K
	CRI (Ra)	>70
	Beam Angle	140 * 100 Degree
	Distribution Pattern	Type III
Electrical	Input Voltage	120-277Vac
	Frequency	50/60Hz
	Dimming	0-10V dimming standard
	PF	≥0.9
	Driver	Non-Isolated
	Surge Protector	10KV
Physical	Operating Temperature	-40°C TO 45°C
	Storage Temperature	-40°C TO 80°C
	Operating Humidity	20% - 90% RH
	Storage Humidity	10% - 95% RH
	LED Brand	Bridgelux
	LED Type	3030
	LED QTY	608PCS
	Housing	Aluminium
	Housing Color	Bronze
Qualification	IP Rating	IP65
	Warranty	5 years warranty with 24/7 operating hours Luminaire lifetime at 25°C

Correlated Color Temperature (CCT)

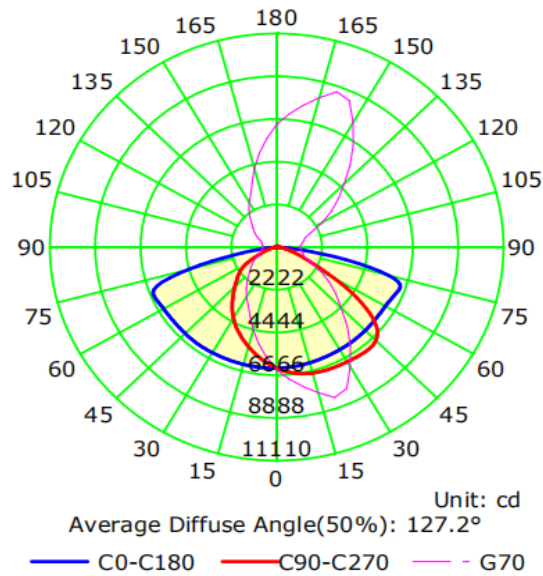


Dimensions

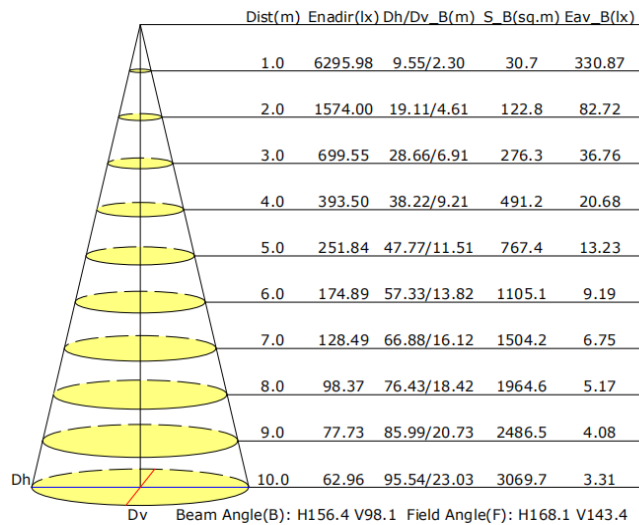


Photometric Data for SKU Number 153505

Luminous Intensity Distribution Curve

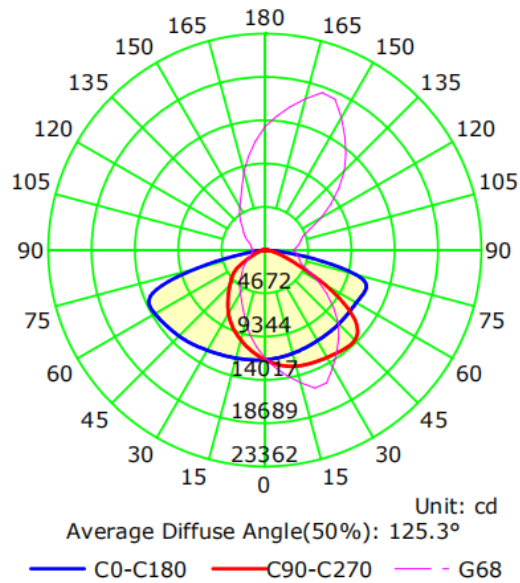


Illuminance at a Distance

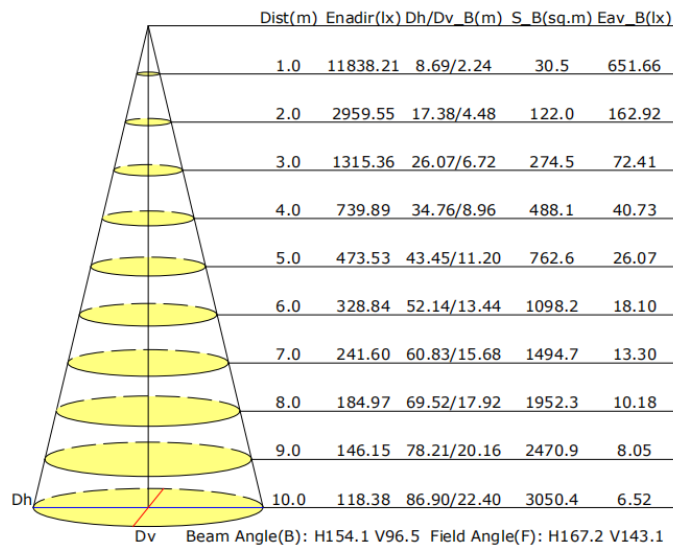


Photometric Data for SKU Number 153507

Luminous Intensity Distribution Curve

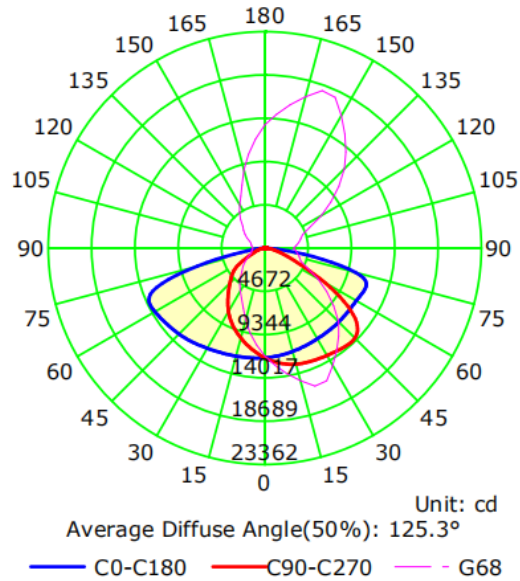


Illuminance at a Distance

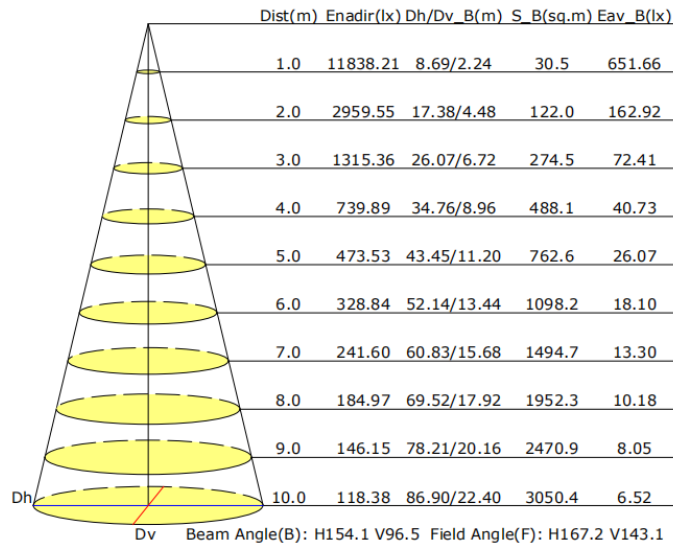


Photometric Data for SKU Number 153509

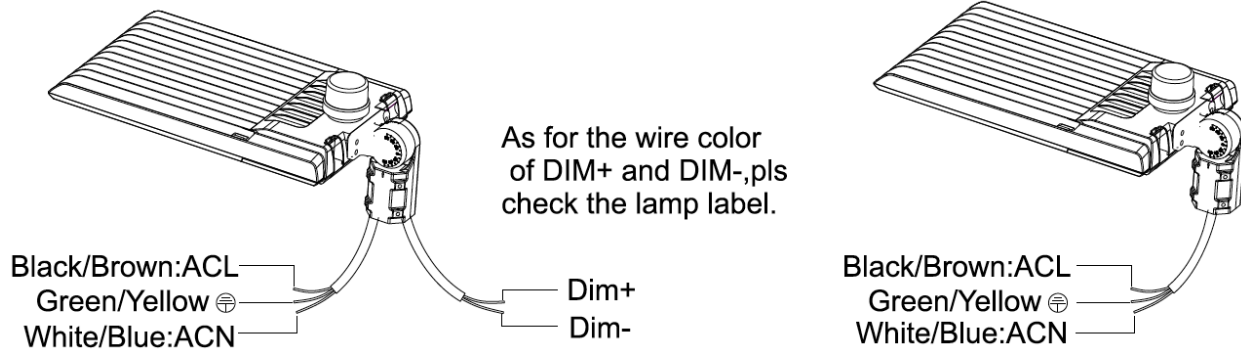
Luminous Intensity Distribution Curve



Illuminance at a Distance



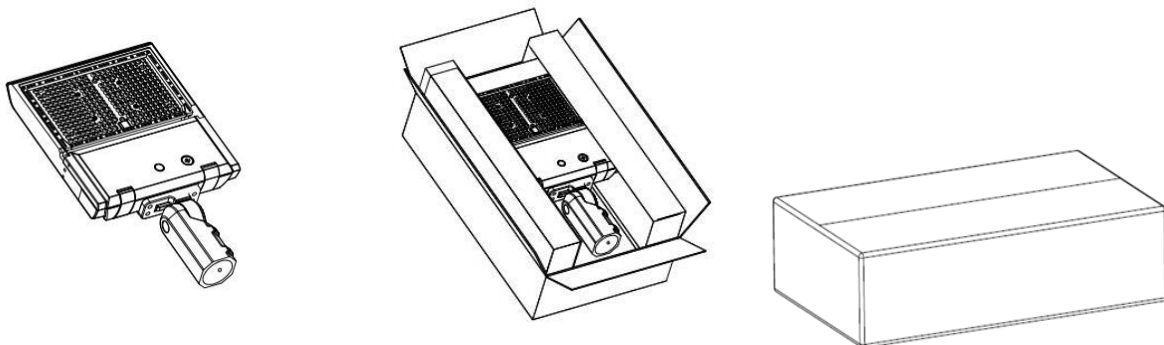
Wiring Diagram



Packaging Info for SKU # 153500

Bracket Type	Carton Size	Qty/Box	N.W./Box	G.W./Box
Yoke Mount	25.60 X 15.16 X 6.10 in	1 PC	14.33 lbs	16.53 lbs
Universal Mount	25.60 X 15.16 X 6.10 in	1 PC	15.00 lbs	17.20 lbs

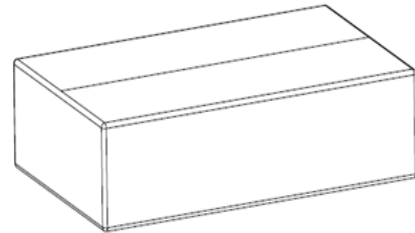
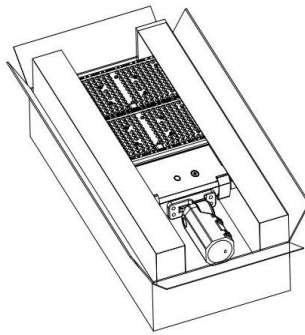
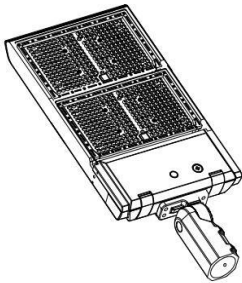
Tolerance of Carton Size: ±15 MM, Tolerance of Weight: ±10%.



Packaging Info for SKU # 153507 & 153509

Bracket Type	Carton Size	Qty/Box	N.W./Box	G.W./Box
Yoke Mount	33.07 X 15.16 X 6.10 in	1 PC	20.50 lbs	23.28 lbs
Universal Mount	33.07 X 15.16 X 6.10 in	1 PC	21.16 lbs	24.00 lbs

Tolerance of Carton Size: ± 15 MM, Tolerance of Weight: $\pm 10\%$.



Application

Factory floor, libraries, square, park, Supermarkets, railway stations, exhibition hall; Convention and exhibition center, warehouse; Advertising lighting, etc.



Safety Precautions

To reduce the risk of death, personal injury or property damage from fire, electric shock, falling parts, cuts/abrasions, and other hazards read all warnings and instructions included with and on the fixture box and all fixture labels. Before installing, servicing, or performing routine maintenance upon this equipment, follow these general precautions. Commercial installation, service and maintenance of luminaires should be performed by a qualified licensed electrician.

For the installation: If you are unsure about the installation or maintenance of the luminaires, consult a qualified licensed electrician and check your local electrical code. To prevent wiring damage or abrasion, do not expose wiring to edges of sheet metal or other sharp objects. Do not make or alter any open holes in an enclosure of wiring or electrical components during kit installation.

WARNING: RISK OF FIRE OR ELECTRICAL SHOCK

Turn off electrical power at fuse or circuit breaker box before wiring fixture to the power supply. Turn off the power when you perform any maintenance. Verify that supply voltage is correct by comparing it with the luminaire label information. Make all electrical and grounded connections in accordance with the National Electrical Code and any applicable local code requirements. All wiring connections should be capped with UL approved wire connectors.

CAUTION: RISK OF INJURY

Avoid direct eye exposure to the light source while it is on. Account for small parts and destroy packing material, as these may be hazardous to children.

Warranty

5 Years Warranty