

NORTHSTAR LED Round UFO High Bay

Beyond LED's NorthStar LED Round UFO High Bay Light is one of the most feature rich products of 2021. This product is designed to maximize light output with efficacy up to 145 Lumens per Watt. NorthStar is built to last with standard 4kv surge protection, 45°C ambient temperature rating, and IP65 rating for elimination of dust, moisture, and airborne contaminants. The NorthStar High Bay can be integrated with feedback control systems. The unique easy connect driver to optical assembly interface allows quick and easy maintenance for applications including warehousing, gymnasiums, manufacturing, and outdoor canopies.



Product Features

- Operating temperature: -40°C to 50°C
- Up to 145 Lumens per Watt efficacy
- 0-10V Dimming capability
- Plug and play motion sensor
- Several optional mounting options
- Integral LED driver, eliminates the need for an external driver or ballast
- Complies with UL safety regulations and is DLC listed
- This product is IP65 rated, therefore, it is suited for both indoor and outdoor applications
- Spotless soft light without shadow
- Optional Emergency backup
- Lumileds or Samsung chip with high CRI
- Universal 100-277Vac / 480Vac optional
- No UV or IR in the beam
- Environment friendly with no mercury
- Easy to install and operate, with instant and no humming
- Energy saving with long lifespan

| SKU # | Model # | Watts | Lumens | Input Voltage | Certification |
|--------|---------------------------|-------|---------|---------------|---------------|
| 153500 | BLT-HB11-150WM1XYD1-abcd | 150W | 21900LM | 100-277V | UL & DLC |
| 153501 | BLT-HB11-240WM1XYD1-abcd | 240W | 35100LM | 100-277V | UL & DLC |
| 153581 | BLT-HB11-240WS1BT2H1-WH35 | 240W | 35100LM | 277-480V | UL & DLC |
| 151886 | U Bracket | - | - | - | - |
| 152598 | Optional Motion Sensor | - | - | - | - |
| 152613 | Motion Sensor Remote | - | - | - | - |

SKU Number 153500 Specifications

| Parameter | Description | Value |
|----------------------------|-------------------------|---|
| General Performance | Model # | BLT-HB11-150WM1XYD1-abcd |
| | Wattage | 150W |
| | Lumen | Up to 21900LM |
| | Lumen Efficacy | Up to 145LM/W |
| | Color Temperature | 5000K |
| | CRI (Ra) | >80 |
| | Beam Angle | 90 Degree |
| | Diffuser Type | PC Lens |
| Electrical | Input Voltage | 100-277Vac |
| | Frequency | 50/60Hz |
| | Dimming | 0-10V dimming standard |
| | PF | ≥0.9 |
| | Driver Surge protection | L/N-PE: 4kV, L-N: 6kV |
| | Flicker Percent | <5% |
| Physical | Operating Temperature | -40°C TO 50°C (Without Sensor) |
| | Operating Temperature | -30°C TO 50°C (With Sensor) |
| | Storage Temperature | -40°C TO 80°C |
| | Operating Humidity | 20% - 90% RH |
| | Storage Humidity | 10% - 95% RH |
| | LED Brand | Lumileds |
| | LED Type | SMD2835 |
| | LED QTY | 425PCS |
| | Housing | Die-cast aluminium |
| | Housing Color | White |
| Qualification | IP Rating | WET (IP65) |
| | Warranty | 5 years warranty with 24/7 operating hours Luminaire lifetime at 25°C |



SKU Number 153501 Specifications

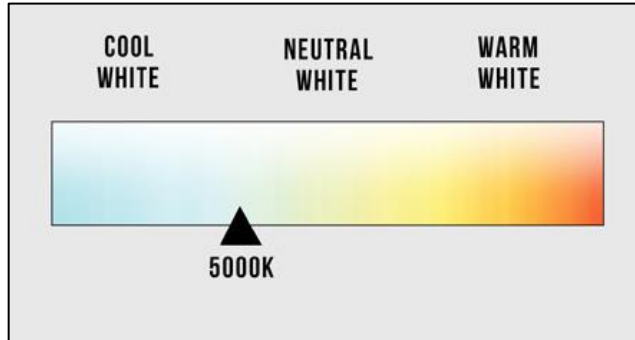
| Parameter | Description | Value |
|----------------------------|-------------------------|--|
| General Performance | Model # | BLT-HB11-240WM1XYD1-abcd |
| | Wattage | 240W |
| | Lumen | Up to 35100LM |
| | Lumen Efficacy | Up to 145LM/W |
| | Color Temperature | 5000K |
| | CRI (Ra) | >80 |
| | Beam Angle | 90 Degree |
| | Diffuser Type | PC Lens |
| Electrical | Input Voltage | 100-277Vac |
| | Frequency | 50/60Hz |
| | Dimming | 0-10V dimming standard |
| | PF | ≥0.9 |
| | Driver Surge protection | L/N-PE: 4kV, L-N: 6kV |
| | Flicker Percent | <5% |
| Physical | Operating Temperature | -40°C TO 50°C (Without Sensor) |
| | Operating Temperature | -30°C TO 50°C (With Sensor) |
| | Storage Temperature | -40°C TO 80°C |
| | Operating Humidity | 20% - 90% RH |
| | Storage Humidity | 10% - 95% RH |
| | LED Brand | Lumileds |
| | LED Type | SMD2835 |
| | LED QTY | 720PCS |
| | Housing | Die-cast aluminium |
| | Housing Color | White |
| Qualification | IP Rating | WET (IP65) |
| | Warranty | 5 years warranty with 24/7 operating hours Luminaire lifetime at 25°C |

SKU Number 153581 Specifications

| Parameter | Description | Value |
|----------------------------|-------------------------|---|
| General Performance | Model # | BLT-HB11-240WS1BT2H1-WH35 |
| | Wattage | 240W |
| | Lumen | Up to 35100LM |
| | Lumen Efficacy | Up to 145LM/W |
| | Color Temperature | 5000K |
| | CRI (Ra) | >80 |
| | Beam Angle | 90 Degree |
| | Diffuser Type | PC Lens |
| Electrical | Input Voltage | 277-480Vac |
| | Frequency | 50/60Hz |
| | Dimming | 0-10V dimming standard |
| | PF | ≥0.9 |
| | Driver Surge protection | L/N-PE: 4kV, L-N: 6kV |
| | Flicker Percent | <5% |
| Physical | Operating Temperature | -40°C TO 50°C (Without Sensor) |
| | Operating Temperature | -30°C TO 50°C (With Sensor) |
| | Storage Temperature | -40°C TO 80°C |
| | Operating Humidity | 20% - 90% RH |
| | Storage Humidity | 10% - 95% RH |
| | LED Brand | Lumileds |
| | LED Type | SMD2835 |
| | LED QTY | 720PCS |
| | Housing | Die-cast aluminium |
| | Housing Color | White |
| Qualification | IP Rating | WET (IP65) |
| | Warranty | 5 years warranty with 24/7 operating hours Luminaire lifetime at 25°C |

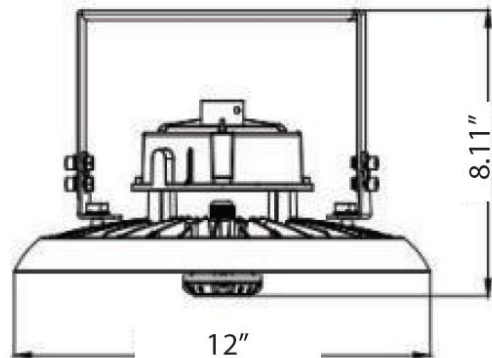
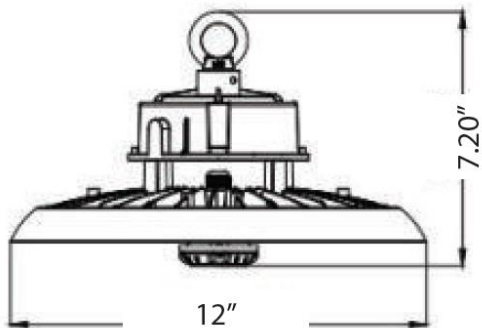
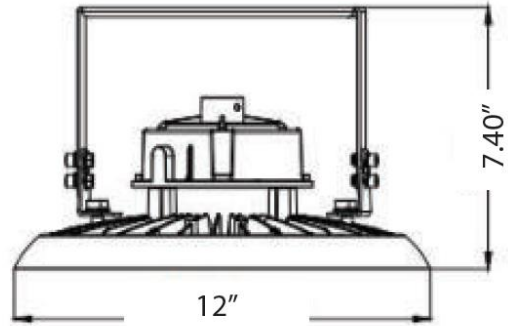
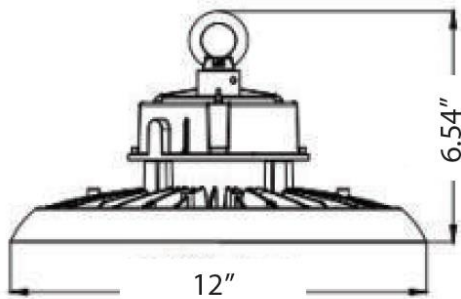


Correlated Color Temperature (CCT)



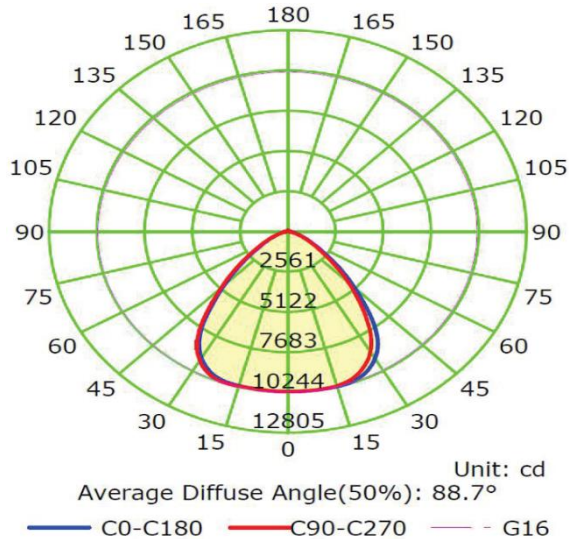
Dimensions

**** Figure below taken from catalog ****

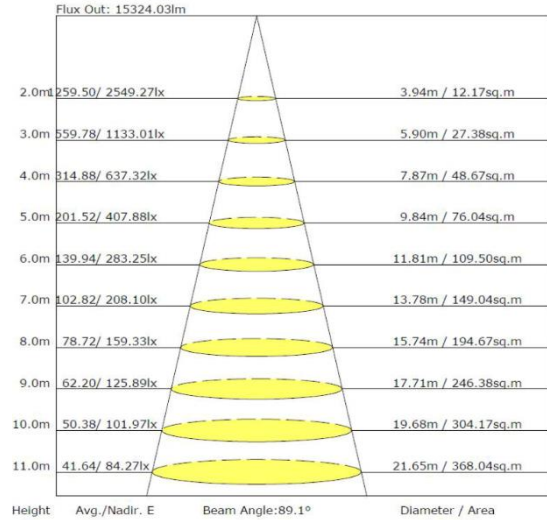


Photometric Data for SKU Number 153500

Luminous Intensity Distribution Curve

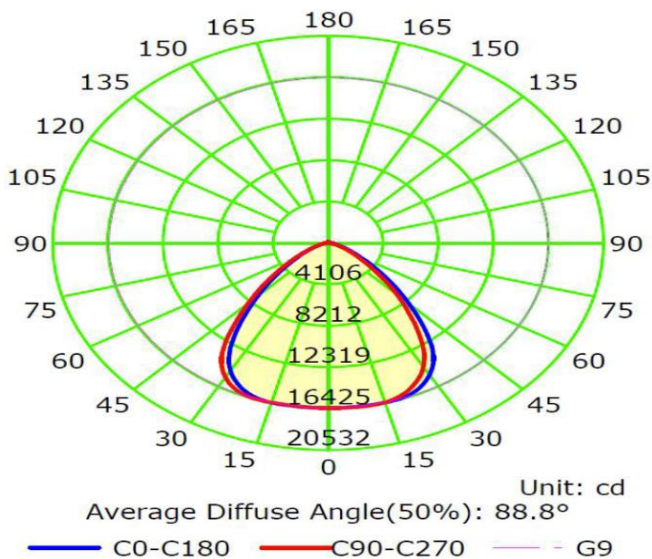


Illuminance at a Distance

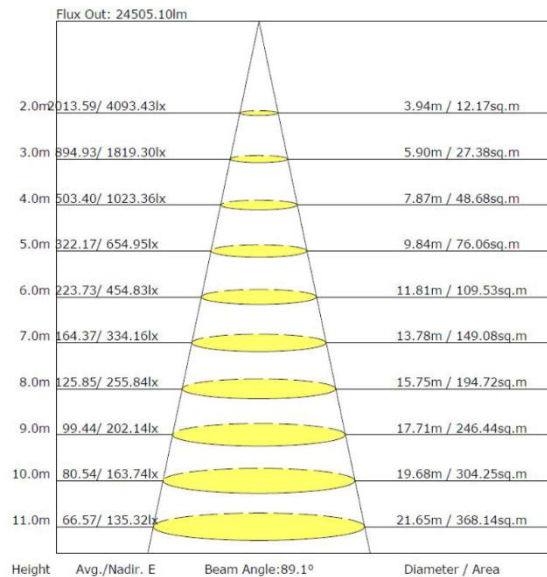


Photometric Data for SKU Number 153501

Luminous Intensity Distribution Curve



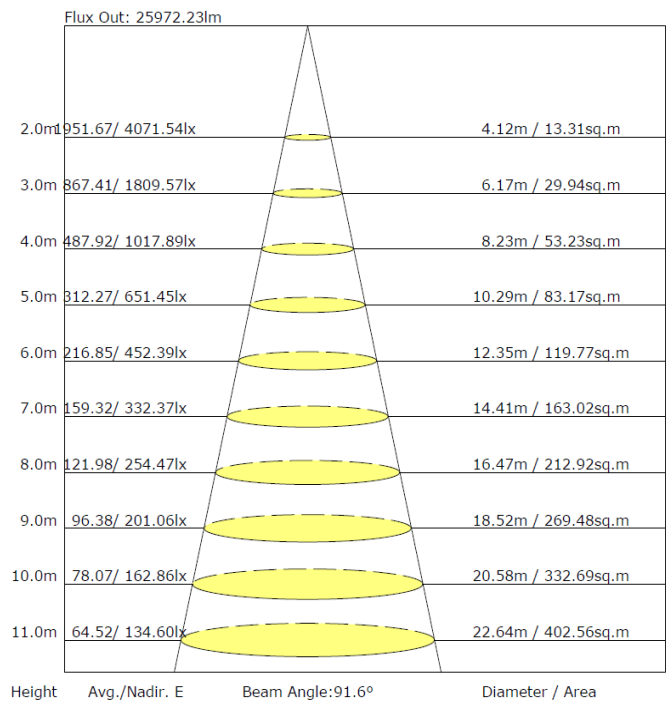
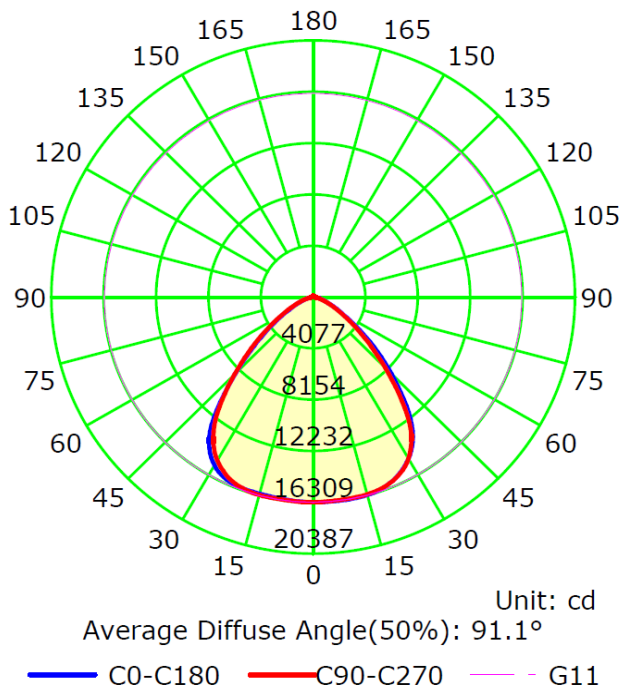
Illuminance at a Distance



Photometric Data for SKU Number 153581

Luminous Intensity Distribution Curve

Illuminance at a Distance



Installation Instructions

Hook Mount

1. Screw the hook into the fixture, tighten and fix it. (figure 1)
2. Hang the fixture on the ceiling hook or chain. (figure 2)
3. After installation, connect the wire of the fixture to the mains according to local wiring rules, ensure the connection is stable and protected on the connection.

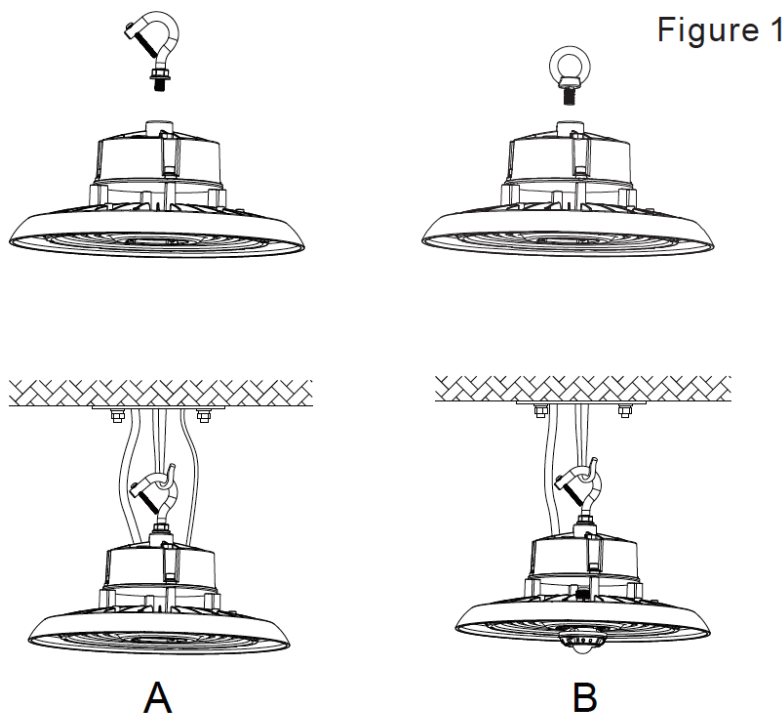


Figure 2

Ceiling Mount

1. Mark with a marker pen or sharpie tool on the mounting surface and drill. (figure 3)
2. Fix screws into the holes with a hammer. (figure 4)
3. Align the bracket hole with screw hole (figure 5), and push the fixture to one side (figure 6) and fix it.
4. After installation, connect the wire of the fixture to the mains according to local wiring rules, ensure the connection is stable and protected on the connection. By adjusting the brackets screws, users can adjust 50° to the left or right vertically. (figure 7)

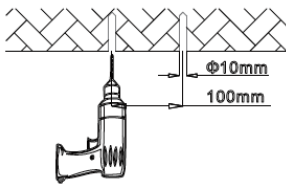


Figure 3

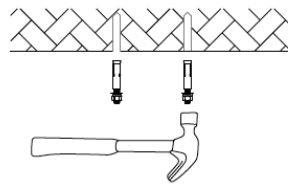


Figure 4

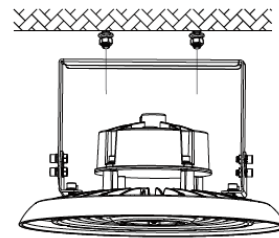


Figure 5

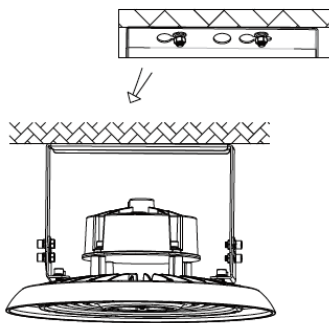


Figure 6

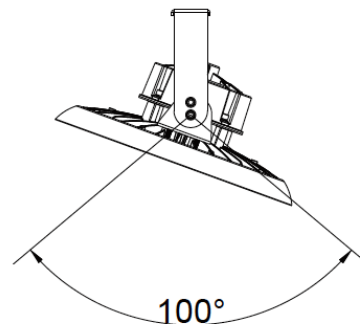
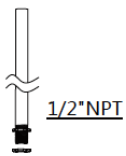


Figure 7

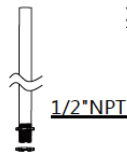
U Bracket Mount

1. Unscrew the nuts on 1/2" NPT. (figure 8)
2. Insert 1/2" NPT stem into the bracket hole. (figure 9)
3. Re-screw the nuts. (figure 10)
4. After installation, connect the wire of the fixture to the mains according to local wiring rules, ensure the connection is stable and make good protection on the connection. By adjusting the brackets screws, users can adjust 50° to the left or right vertically. (figure 11)



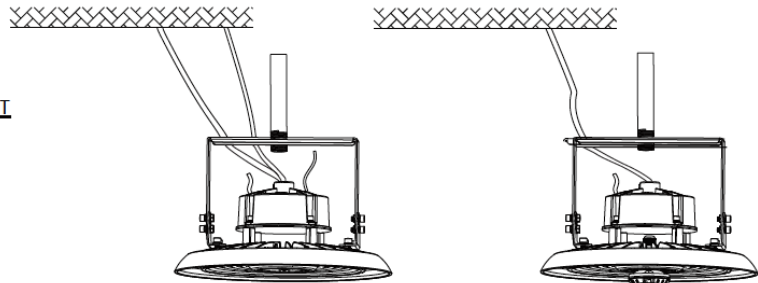
A

Figure 8



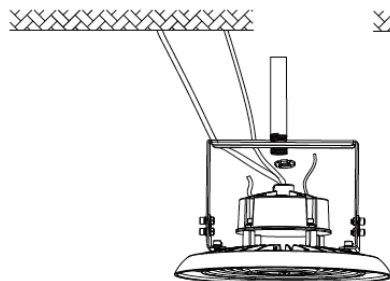
B

Figure 9



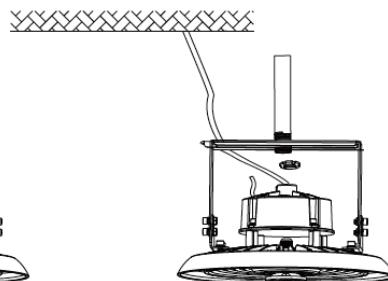
A

B



A

Figure 10



B

Figure 11

Installation of Motion Sensor

The fixture has integrated function 3 Power selectable. The setting could be customized. Operation: Take away the water-proof gasket, adjust dip switch to choose Power as per sign. The original setting could be either factory default or customized request(Figure 12-1).

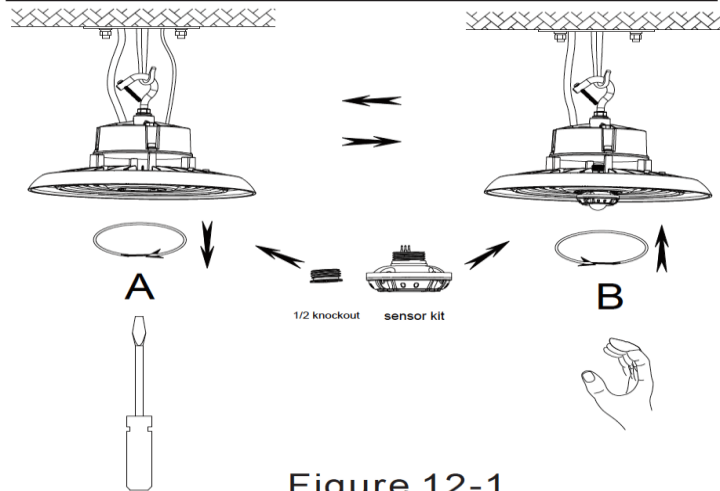


Figure 12-1

Caution

1. Can not use the electric generator to test the LED light .
2. Please abide by related country, regional and local law and regulations when installing this fixture.
3. Please turn off the power before installation or maintenance.
4. Proper grounding is required to ensure safety.

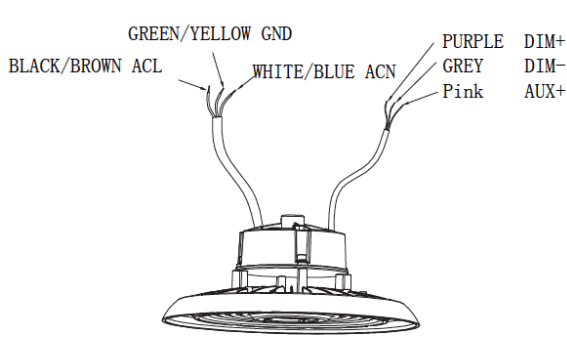
Notice

1. To avoid possibility of electrical shock or fire, the installation personnel must have professional electric knowledge.
2. Please wear gloves to avoid injury before installation.
3. If there is any smoke or spark, please turn off the power immediately and consult a qualified electrician.
4. Please use listed water proof strain relief bushing when connection the supply cord to the outlet box.

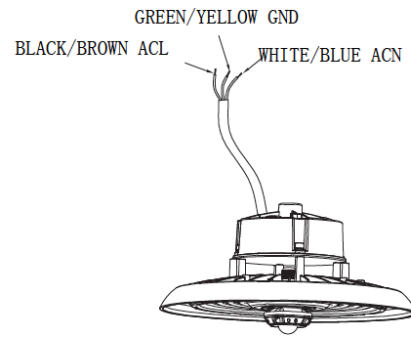
Wiring Diagram & Instructions

This LED highbay light can be equipped with optional DC motion sensor, and is available with 1-10V dimming function, with following 3 dimming solutions:

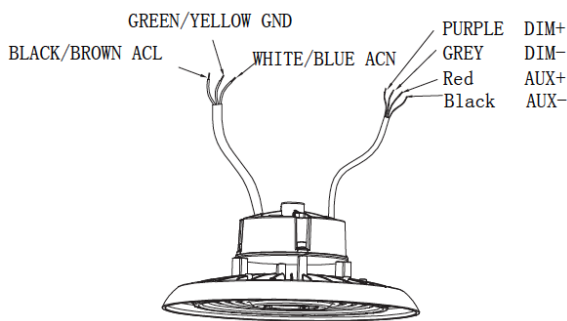
1. 1-10V dimming,
2. Intelligent dimming with DC motion sensor,
- 3 Pre-install tool-free handling DC motion sensor dimming module, and choose dimming module, and choose dimming function freely.



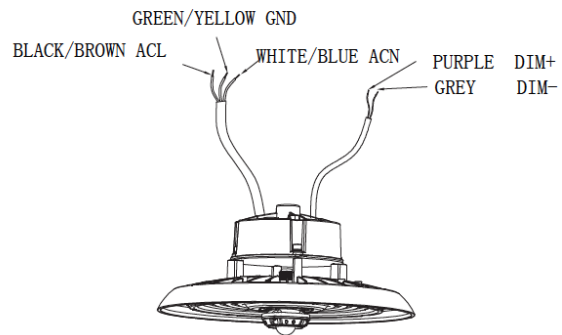
A



B



C



D

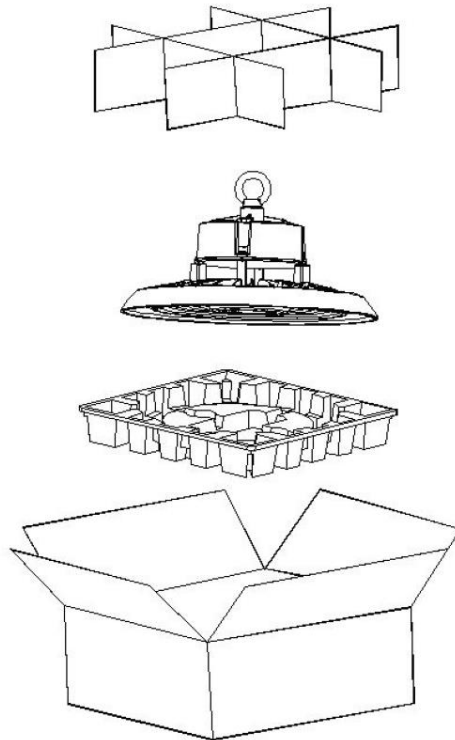
Packaging Info for SKU # 153500

| Bracket Type | Carton Size | Qty/Box | N.W./Box | G.W./Box |
|---------------|-------------------------|---------|----------|----------|
| Hook Mount | 14.17 X 14.17 X 7.68 in | 1 PC | 5.51 lbs | 7.28 lbs |
| Ceiling Mount | 14.17 X 14.17 X 7.68 in | 1 PC | 6.40 lbs | 8.16 lbs |

Packaging Info for SKU # 153501 & 153581

| Bracket Type | Carton Size | Qty/Box | N.W./Box | G.W./Box |
|---------------|-------------------------|---------|----------|-----------|
| Hook Mount | 16.54 X 16.54 X 8.07 in | 1 PC | 7.94 lbs | 10.36 lbs |
| Ceiling Mount | 16.54 X 16.54 X 8.07 in | 1 PC | 9.92 lbs | 12.35 lbs |

Tolerance of Carton Size: ± 15 MM, Tolerance of Weight: $\pm 10\%$.



Application

Warehouse, factory and workshops; Highway toll station and gas station; Exhibition Hall; Gymnasium and supermarkets, etc.



Safety Precautions

To reduce the risk of death, personal injury or property damage from fire, electric shock, falling parts, cuts/abrasions, and other hazards read all warnings and instructions included with and on the fixture box and all fixture labels. Before installing, servicing, or performing routine maintenance upon this equipment, follow these general precautions. Commercial installation, service and maintenance of luminaires should be performed by a qualified licensed electrician.

For the installation: If you are unsure about the installation or maintenance of the luminaires, consult a qualified licensed electrician and check your local electrical code. To prevent wiring damage or abrasion, do not expose wiring to edges of sheet metal or other sharp objects. Do not make or alter any open holes in an enclosure of wiring or electrical components during kit installation.

WARNING: RISK OF FIRE OR ELECTRICAL SHOCK

Turn off electrical power at fuse or circuit breaker box before wiring fixture to the power supply. Turn off the power when you perform any maintenance. Verify that supply voltage is correct by comparing it with the luminaire label information. Make all electrical and grounded connections in accordance with the National Electrical Code and any applicable local code requirements. All wiring connections should be capped with UL approved wire connectors.

CAUTION: RISK OF INJURY

Avoid direct eye exposure to the light source while it is on.
Account for small parts and destroy packing material, as these may be hazardous to children.

Warranty

5 Years Warranty

This product is warranty to be free from defects in workmanship and materials for up to 5 Years from date of purchase. If it fails to do so, please contact Beyond LED technology at sales@beyondledtechnology.com or call 1(866) 786-1117 for instructions on replacement.