



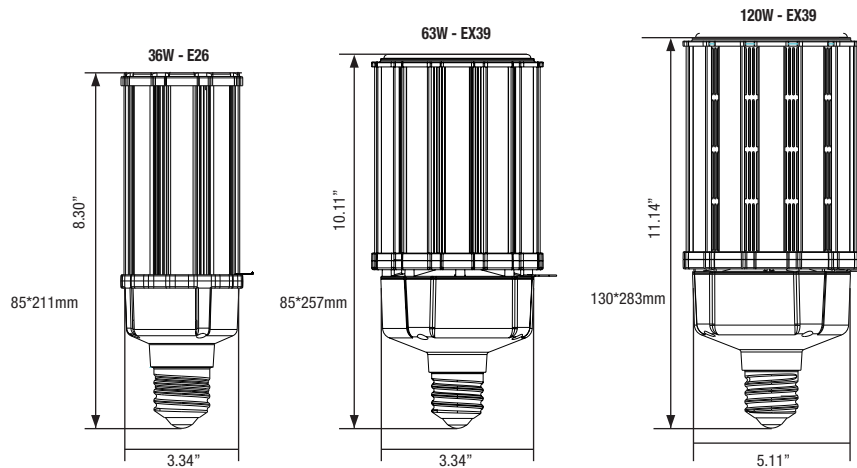
Cross

LED Corncob Bulb



The Cross Series Corncob from Beyond LED Technology is the newest, most innovative, and feature-rich product of 2021. Cross corn lights are the first dimmable, wattage-adjustable corn bulbs designed for fully enclosed fixtures. Cross Corn bulbs are meant to save energy in fixtures that formerly utilized metal halide or high-pressure sodium lights while maintaining a high Lumen output. These high-output LEDs are ideal for post top lights, shoebox fixtures, and other high intensity lighting.

- Up to 140 lumens per watt
- 4KV built-in surge protector & Fan-less design
- IP64 and dust proof rating
- High-reliability internal driver
- 0-10 Segment dimming
- Wattage adjustable
- Universal 100-277Vac
- Can safely be used in enclosed fixtures
- Direct replacement for Metal Halide
- Beam Angle of 360 Degree
- UL and DLC 5.1 listed



SKU #	Model #	Base	Watts	Lumens	CCT	IP	Dimmable	Input Voltage	Certifications
153464	BLT-CLW08E-036WXYA1-adcK	E26	Adjustable 18W/27W/ 36W	2550Lm- 5120Lm	5000K	IP64	0-10V	100V-277V	UL & DLC
153465	BLT-CLW08E-063WXYA1-adcK	EX39	Adjustable 45W/54W/ 63W	6390Lm- 8950Lm	5000K	IP64	0-10V	100V-277V	UL & DLC
153466	BLT-CLW08E-120WXYA1-adcK	EX39	Adjustable 80W/100W/ 120W	11360Lm- 17040Lm	5000K	IP64	0-10V	100V-277V	UL & DLC