



LED Linkable Fixtures

Yonah Series



Yonah Series

Beyond LED Yonah Series Linkable T8 LED Integrated Lamps perform efficiently in conditions where low voltage, halogen, or fluorescent luminaires have traditionally been used. Our LED tubes incorporate integral drivers, are self-supporting, and can be surface mounted. Individual units can be plugged together for continuous lengths up to 24 feet. Our Yonah Series Lamps connect directly to line voltage and can be used in any interior space.

- Operates directly from line voltage
- Usable as a stand alone fixture
- Linkable up to 24ft(270W) at AC120V
- Efficacy up to 140 Lumens per watt
- Aluminum and PC housing
- Rated IP22 for indoor use
- Universal 100-277Vac 50-60Hz
- Rated lifetime 50,000 hours

LED Linkable Fixtures

Yonah Series

Yonah Series

SKU #	Model #	Watts	Lumens	CCT	Lens	Length	Certifications
151716	BLT-T8-30P4FT-INT26500K-S	30W	4200Lm	6500K	Striped	4'	ETL
151717	BLT-T8-30P4FT-INT26500K-C	30W	4200Lm	6500K	Clear	4'	ETL
151623	BLT-T8-60P8FT-INT26500K-F	60W	8400Lm	6500K	Frosted	8'	ETL
151624	BLT-T8-60P8FT-INT26500K-S	60W	8400Lm	6500K	Striped	8'	ETL
151715	BLT-T8-60P8FT-INT26500K-C	60W	8400Lm	6500K	Clear	8'	ETL
152574	BLT-T8-90P8FT-INT26500K-C	90W	12600Lm	5000K	Clear	8'	ETL

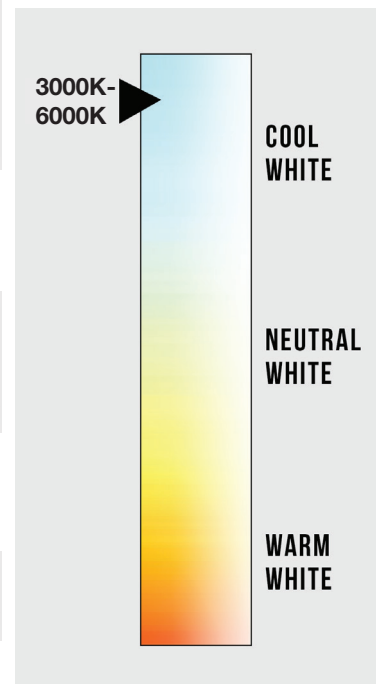
Specifications

Input Voltage	Power Factor	CRI	Beam angle
Input: AC100 ~ 277V	>0.95	Ra>80	270°

Fixture Specifications

Body	Material: Aluminum+PC cover
Light source	SMD2835 LED 4 Lines
Lens	Frosted / Clear / Striped
THD	≤20%
Lifetime	50,000 Hours

CORRELATED COLOR TEMPERATURE (CCT)



Others

Environmental Requirements	Operation Temperature: -30°C to 65°C IP22 indoor use Non-corrosive environments
----------------------------	---

Warranty

Warranty	5 Year
----------	--------

LED Linkable Fixtures

Yonah Series

Packing

Tube Length	Box Size	Box weight	Box quantity
4'	50"X17"X10"	43 LBS	50 PCS
8'	97"X9"X9"	34 LBS	20 PCS



Application

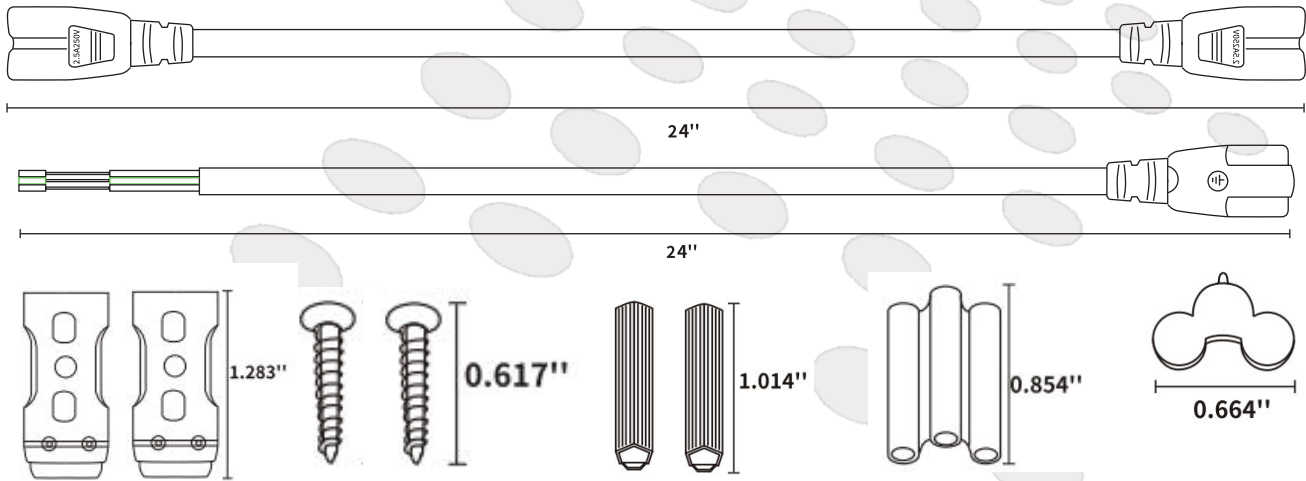


LED Linkable Fixtures

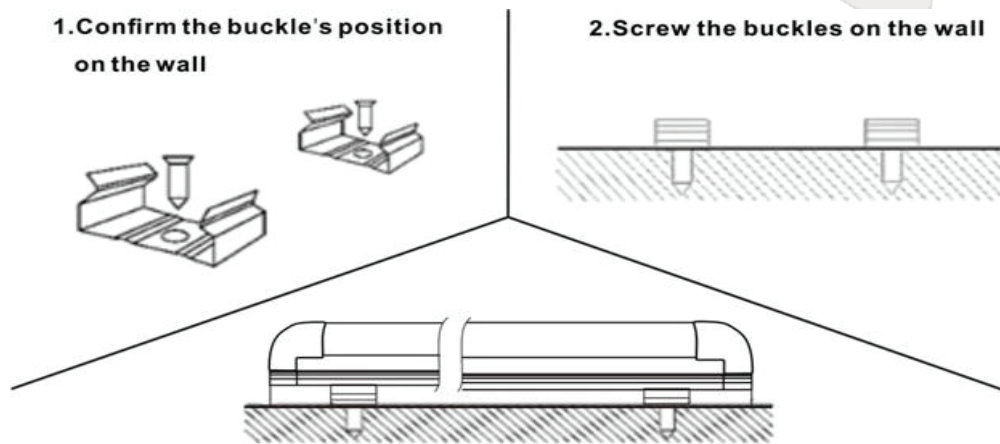
Yonah Series

Installation

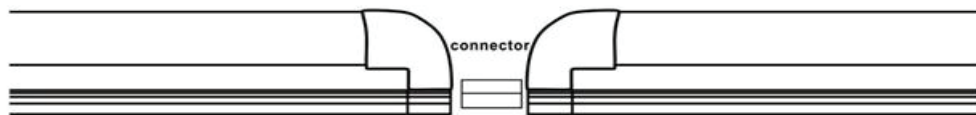
1. Standard accessories included as below:



2. Installation instruction:



Connection Installation



1. Please find the connector in the accessories bag.



2. Plug the connector into the tube.