

# Yonah

## LED Linkable Fixtures



### Yonah Series

Beyond LED Yonah Linkable T8 LED Integrated Lamps perform efficiently in conditions where low voltage, halogen, or fluorescent luminaires have traditionally been used. Our LED tubes incorporate integral drivers, are self-supporting, and can be surface mounted. Individual units can be plugged together for continuous lengths up to 32 feet. Our Yonah Series Lamps connect directly to line voltage and can be used in any interior space.

- Operates directly from line voltage
- Usable as a stand-alone fixture
- Linkable up to 300W at AC120V
- Linkable up to 600W at 220-270V
- Efficacy up to 140 Lumens per watt
- Aluminum and PC housing
- Rated IP22 for indoor use
- Universal 100-277Vac 50-60Hz
- Rated lifetime 50,000 hours

## Specifications

| SKU #  | Model #                     | Watts | Lumens  | CCT   | Lens    | Length | Certifications |
|--------|-----------------------------|-------|---------|-------|---------|--------|----------------|
| 151716 | BLT-T8-30P4FT-INT26500K-S   | 30W   | 4200Lm  | 6500K | Striped | 4'     | ETL            |
| 151717 | BLT-T8-30P4FT-INT26500K-C   | 30W   | 4200Lm  | 6500K | Clear   | 4'     | ETL            |
| 153496 | BLT-T8-30P4FT-INT2(5000K)-F | 30W   | 4200Lm  | 5000K | Frosted | 4'     | ETL & DLC      |
| 153837 | BLT-T8-30P4FT-INT2(4000K)-F | 30W   | 4200Lm  | 4000K | Frosted | 4'     | ETL & DLC      |
| 151623 | BLT-T8-60P8FT-INT26500K-F   | 60W   | 8400Lm  | 6500K | Frosted | 8'     | ETL            |
| 153547 | BLT-T8-60P8FT-INT2(5000K)-F | 60W   | 8400Lm  | 5000K | Frosted | 8'     | ETL            |
| 151715 | BLT-T8-60P8FT-INT26500K-C   | 60W   | 8400Lm  | 6500K | Clear   | 8'     | ETL            |
| 151624 | BLT-T8-60P8FT-INT26500K-S   | 60W   | 8400Lm  | 6500K | Striped | 8'     | ETL            |
| 153838 | BLT-T8-60P8FT-INT2(4000K)-F | 60W   | 8400Lm  | 4000K | Frosted | 8'     | ETL & DLC      |
| 152574 | BLT-T8-90P8FT-INT4(5000K)-C | 90W   | 12600Lm | 5000K | Clear   | 8'     | ETL            |

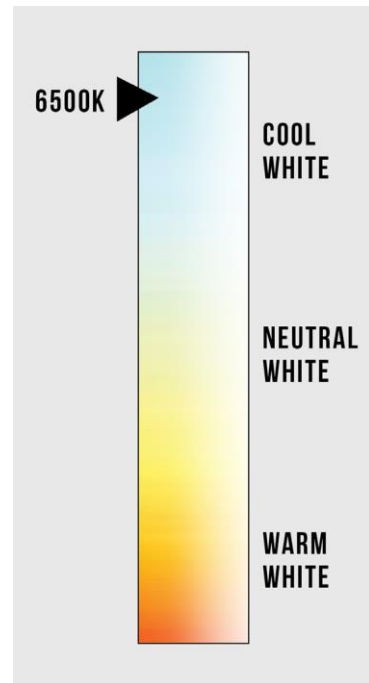


| Input Voltage        | Power Factor | CRI | Beam Angle |
|----------------------|--------------|-----|------------|
| 100-277 VAC 50/60 HZ | >0.95        | >80 | 120        |

## Fixture Specifications

|                     |                         |
|---------------------|-------------------------|
| <b>Body</b>         | Aluminum + PC Cover     |
| <b>Light Source</b> | SMD2835 LED             |
| <b>Lens</b>         | Frosted / Clear / Strip |
| <b>THD</b>          | ≤ 20%                   |
| <b>Lifetime</b>     | 5 years                 |

## CORRELATED COLOR TEMPERATURE (CCT)



## Others

|                                   |   |
|-----------------------------------|---|
| <b>Environmental Requirements</b> | Operation Temperature: -30°C to 65°C<br>IP22 indoor use<br>non-corrosive environments |
|-----------------------------------|---|

## Warranty

|                 |         |
|-----------------|---------|
| <b>Warranty</b> | 5 Years |
|-----------------|---------|

## Dimensions

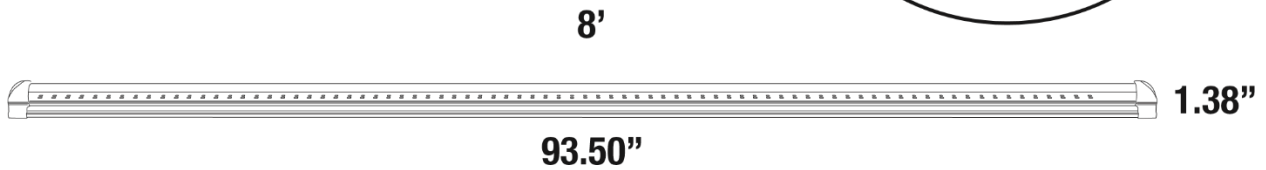
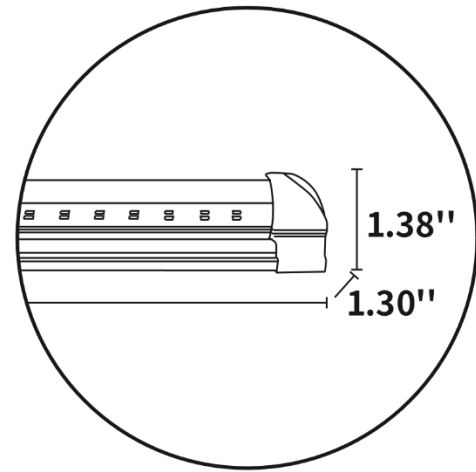
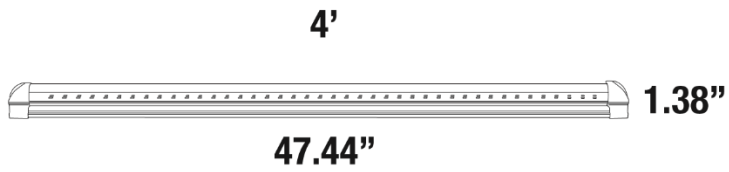
Linkable Options



Mounting Clips



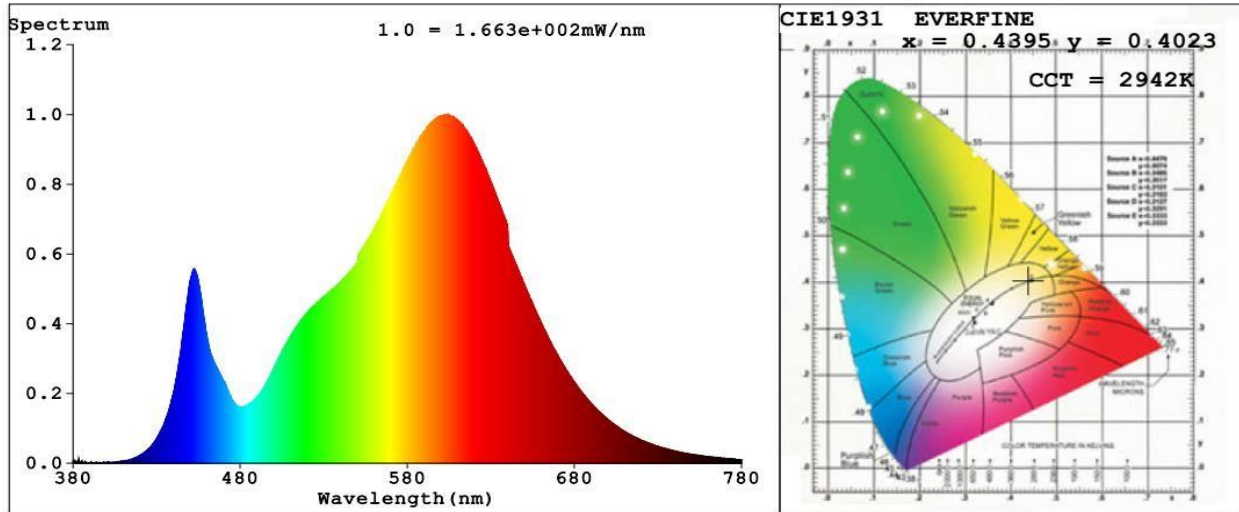
## Dimensions



## Optional Installation, Hanging



## Distribution Diagram



## Chromaticity Measurement - Sphere-Spectroradiometer

### Method(Self-absorption):

| Parameter                   |  | Result              | Special Color Rendering Indices |    |     |    |
|-----------------------------|--|---------------------|---------------------------------|----|-----|----|
| Test Voltage (V)            |  | 120                 | R1                              | 78 | R9  | 0  |
| Frequency (Hz)              |  | 60                  | R2                              | 90 | R10 | 77 |
| CCT (K)                     |  | 2942                | R3                              | 96 | R11 | 75 |
| Duv                         |  | -0.0011             | R4                              | 77 | R12 | 68 |
| Chromaticity (x, y)         |  | x=0.4395 y=0.4023   | R5                              | 78 | R13 | 81 |
| Chromaticity (u', v')       |  | u'=0.2530 v'=0.5211 | R6                              | 87 | R14 | 98 |
| Color Rendering Index (CRI) |  | 80                  | R7                              | 80 | R15 | 70 |
| R9                          |  | 0                   | R8                              | 54 | --  | -- |

### Photometric Measurement - Sphere-Spectroradiometer Method:

| Parameter                | Results |        | DLC V4.4 Pass Criteria |             |
|--------------------------|---------|--------|------------------------|-------------|
| Test Voltage (V)         | 120     | 277    | --                     |             |
| Frequency (Hz)           | 60      | 60     |                        |             |
| Total Luminous (lm)      | 8265    | 8323   | >=375 lm/ft (-10%)     |             |
| Luminous Efficacy (lm/W) | 135.43  | 137.82 | Standard: >=           | Premium: >= |
|                          |         |        | 105(-3%)               | 130(-3%)    |

## Packaging

| Tube Length | Box Size        | Box weight | Box quantity |
|-------------|-----------------|------------|--------------|
| 4'          | 50" X 17" X 10" | 43 LBS     | 50 PCS       |
| 8'          | 97" X 9" X 9"   | 34 LBS     | 20 PCS       |



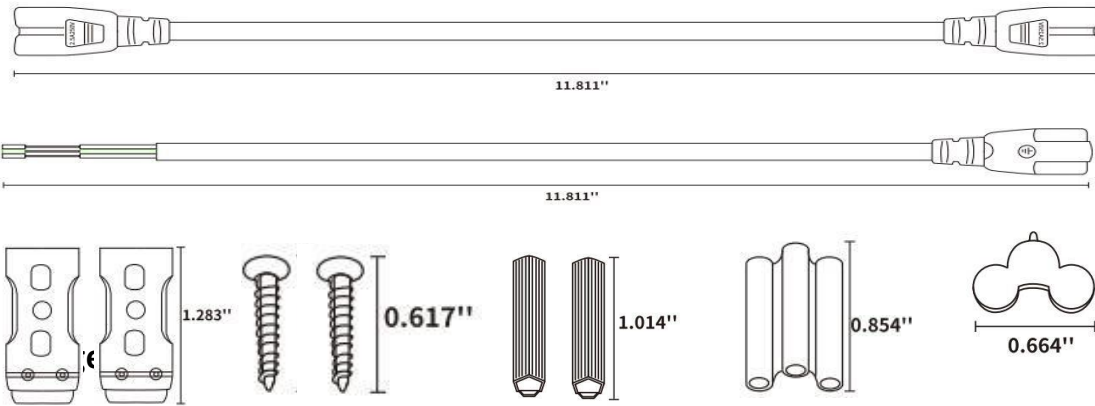
## Application



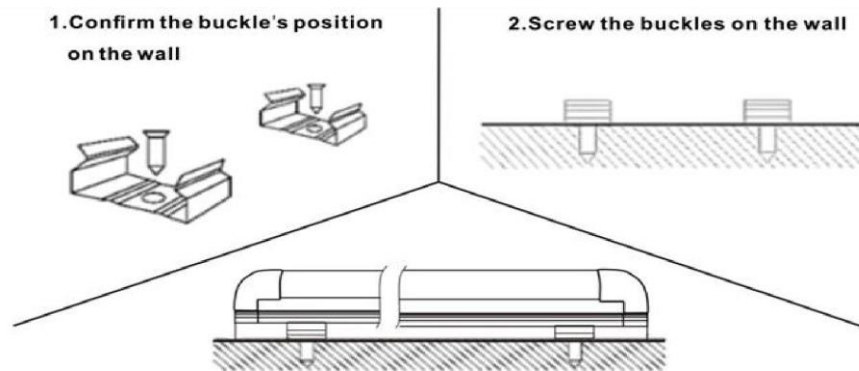
# Installations



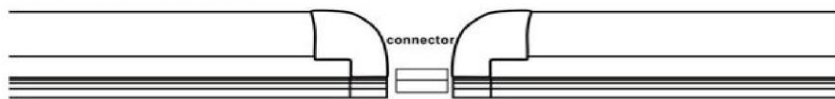
1. Standard accessories included as below:



2. Installation instruction:



### Connection Installation



1. Please find the connector in the accessories bag.



2. Plug the connector into the tube.