



LED Emergency Light

H2 Series LED Combo Exit Sign



H2 Series

Make the most of your buildings Exit Signage with our variety of specialized Emergency and Exit Lights. When looking for illumination when you need it most, LED exit signs offer the brightness you need in emergency situations and in case of a fire, exit signs can save lives. Beyond LED provides signs to comply with building fire codes and insurance standards.

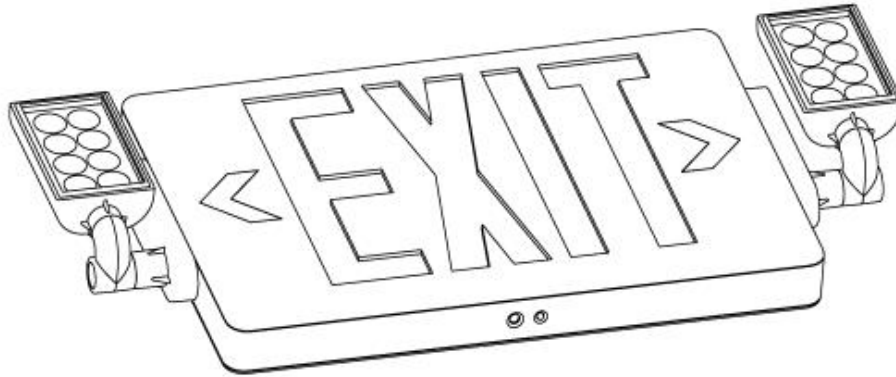
- Flame retardant, high-impact resistant injection-molded thermoplastic
- 120/277Vac Dual voltage operation
- Minimum 90 minutes emergency operation
- 3.6V 1000mAh battery

Red - LED Combo Exit Sign SKU: 151306

Green - LED Combo Exit Sign SKU: 151307

LED Emergency Light

H2 Series LED Combo Exit Sign



Specifications

Model	JLECD2RW/GW
Mode of operation	Maintained
Supply Voltage	120-277V/50-60Hz
Power Consumption	1.5W MAX
Output Voltage	5-5.5V
Output Power	2W
Lumen Output	>200Lm
Colour Temperature	6000-7000K
Battery	3.6V 1000MAH
Max Charge Current (mA)	50-60mA
Max Discharge Current (mA)	700mA
Charging Time	24H
Discharge Time	2H
LED	White 2835 0.2W 16PCS + Red10PCS Or Green 8PCS
Net Weight	900g
Gross Weight	610g
IP Rating	IP20
Safety Classification	III
Certification	UL ROHS
Picture	

Cover: Transparent, Sanding, Milky white



LED Emergency Light

H2 Series LED Combo Exit Sign

Installation



IMPORTANT

The battery in this unit may not be fully charged. After electricity is connected to unit, let battery charge for at least 24 hours, then normal operation of this unit should take effect. To check, press TEST button. The emergency LED lamps should illuminate.

When re-lamping, use only LED lamps specified in the fixture. Using other lamp types may result in transformer damage or unsafe conditions.

SAVE THESE INSTRUCTIONS IMPORTANT SAFEGUARDS:

When using electrical equipment, always adhere to basic safety precautions including the following:

INSTALLATION (CEILING MOUNT)

1. Remove faceplate and set aside.
2. Connect 20-inch jumper leads to AC input leads in J-Box. Fasten J-Box bracket to J-Box. Use red wire for 120V~277V. White wire is common.
3. Fasten canopy to J-Box bracket.
4. Remove canopy hole cover on the top and snap housing to canopy.
5. Connect and trim input leads and slide through the canopy and connect to supply leads in the J-Box.
6. Connect battery only after continuous AC power can be provided to the unit.
7. Remove proper chevron(s) as required.
8. Secure face plate(s) to housing.

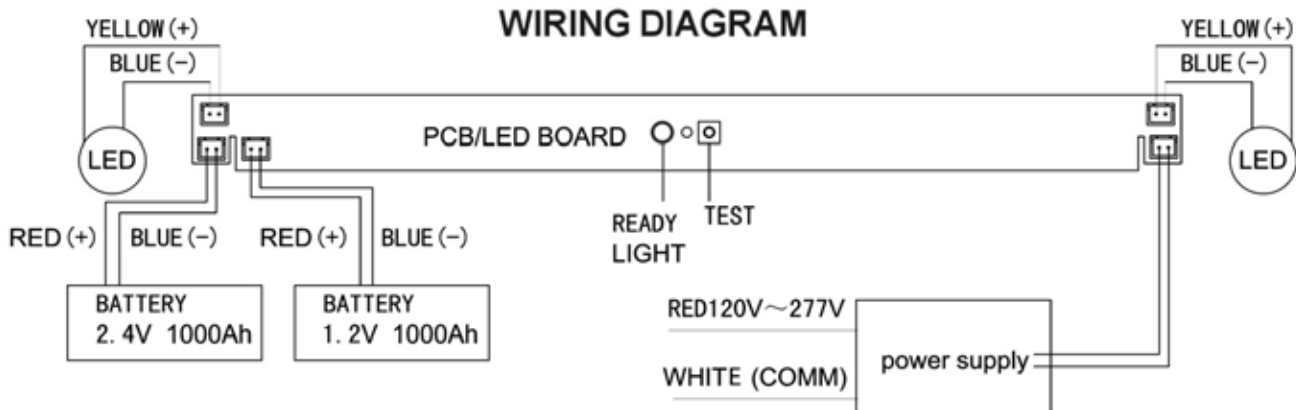
INSTALLATION (WALL MOUNT)

1. Remove faceplate and backplate and set aside.
2. Connect 20-inch jumper leads to AC input leads in J-Box. Fasten J-Box bracket to J-Box. Use red wire for 120V ~ 277V. White wire is common.
3. Remove necessary knockouts and fasten back plate to J-Box cover.
4. Snap housing on to back plate.
5. Connect and trim input leads and slide through the hole in the backplate and connect to supply leads in J-Box.
6. Connect battery only after continuous AC power can be provided to the unit.
7. Secure face plate(s) to housing.

LED Emergency Light

H2 Series LED Combo Exit Sign

Installation



READ AND FOLLOW ALL SAFETY INSTRUCTIONS

1. Do not use outdoors.
2. Equipment should be mounted securely in locations and at heights where it will not be readily subjected to tampering by unauthorized personnel.
3. Do not mount near gas or electric heaters.
4. Cap un used wires with enclosed wire nuts or other approved method.
5. Do not use this equipment for anything other than its intended use.
6. The use of accessory equipment not recommended by the manufacturer will void product listing and warranty and may cause an unsafe condition.
7. Disconnect AC power before servicing and installation.
8. Consult local building code for approved wiring and installation.
9. Use caution when servicing batteries.
10. Any service on this equipment should be performed by qualified personnel only.
11. Make sure wire terminations are secure and leads are properly tucked in appropriate wire channels.

Connection of remote emergency light(If Applicable)

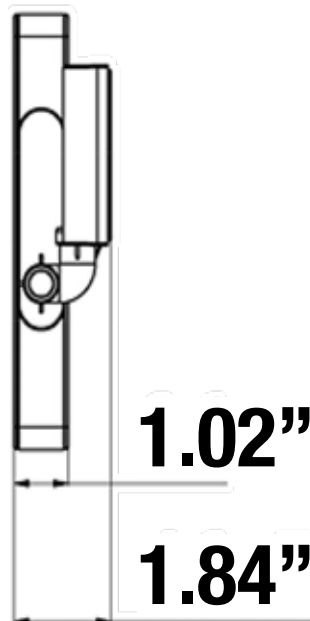
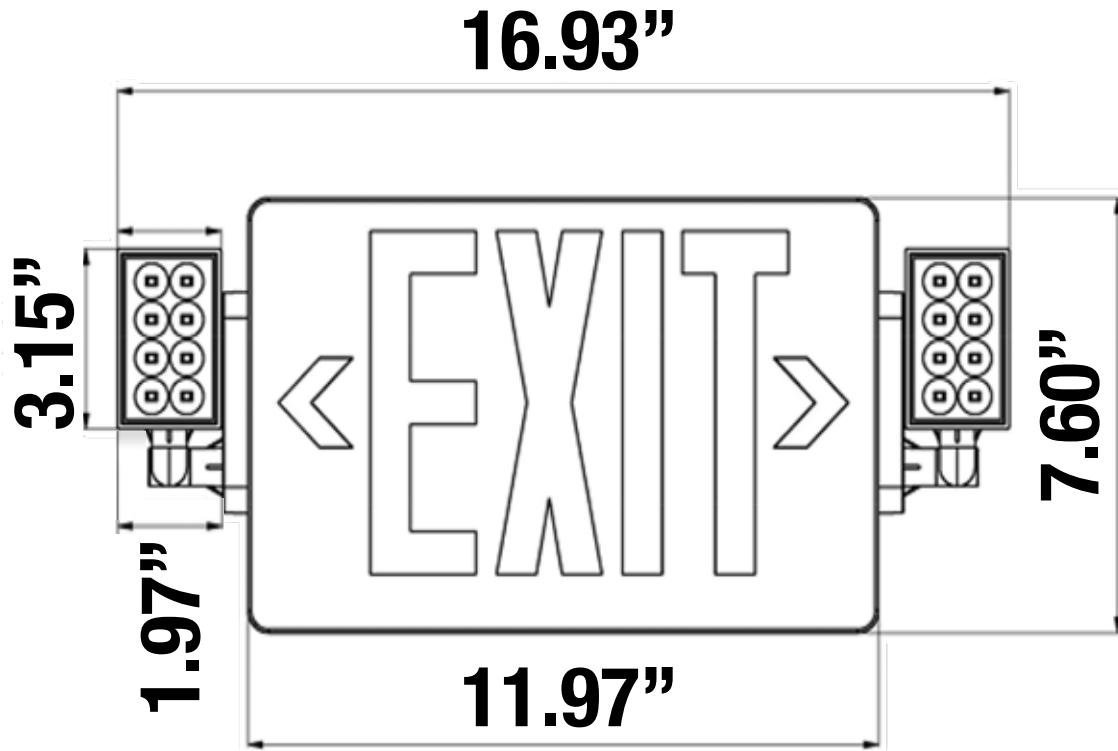
Use Yellow & Blue wire for remote fixture(s). Route wires outside of fixture separately or with AC supply wires. Make sure to keep all wires out of the way of the EXIT LEGEND so there are no shadows.



LED Emergency Light

H2 Series LED Combo Exit Sign

Dimensions



LED Emergency Light

H2 Series LED Combo Exit Sign

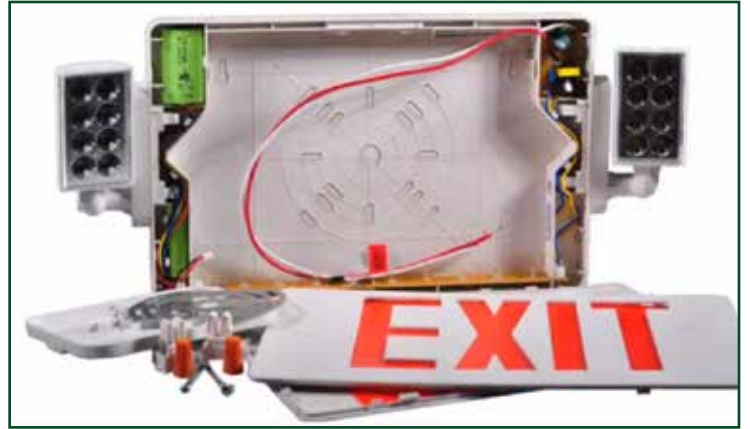


INDOOR: LED EMERGENCY LIGHTS



LED Emergency Light

H2 Series LED Combo Exit Sign

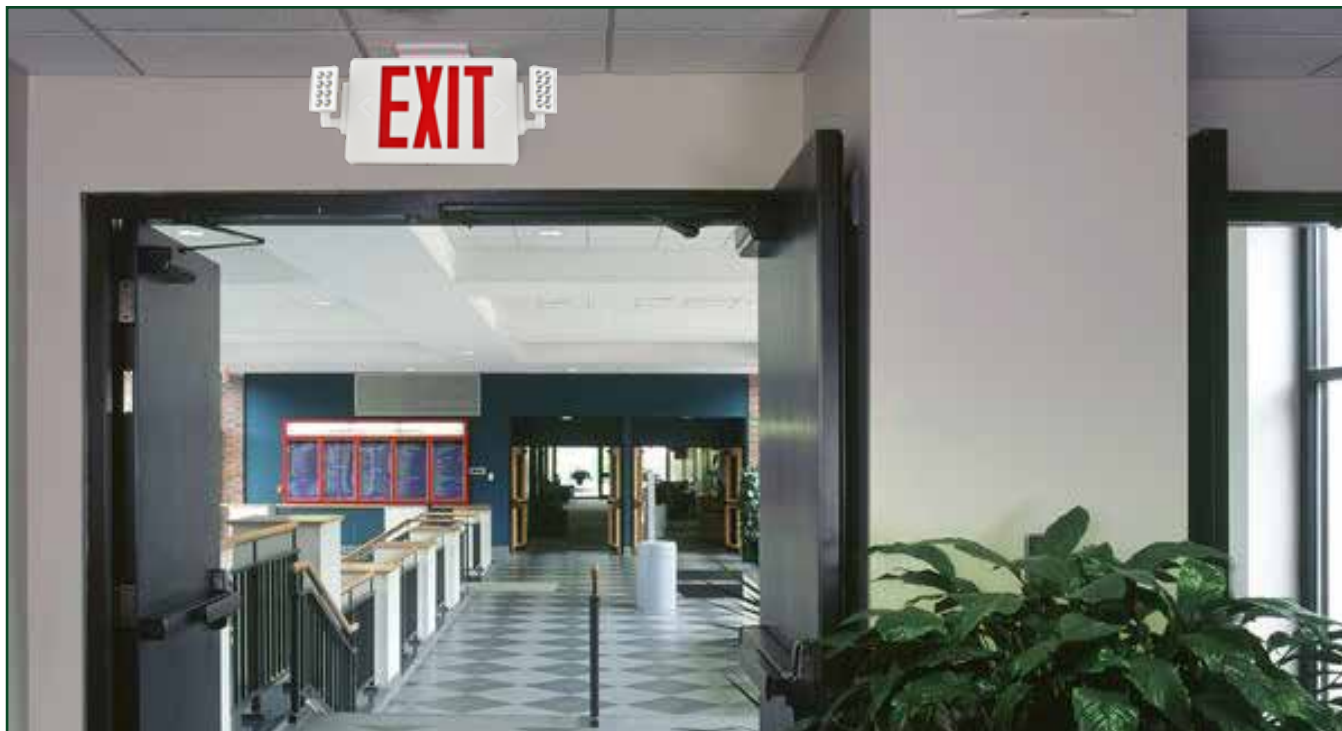


INDOOR: LED EMERGENCY LIGHTS

LED Emergency Light

H2 Series LED Combo Exit Sign

Application



INDOOR: LED EMERGENCY LIGHTS

(866) 786-1117 • www.BeyondLEDTechnology.com

Due to continuous product improvement, information in this document is subject to change.